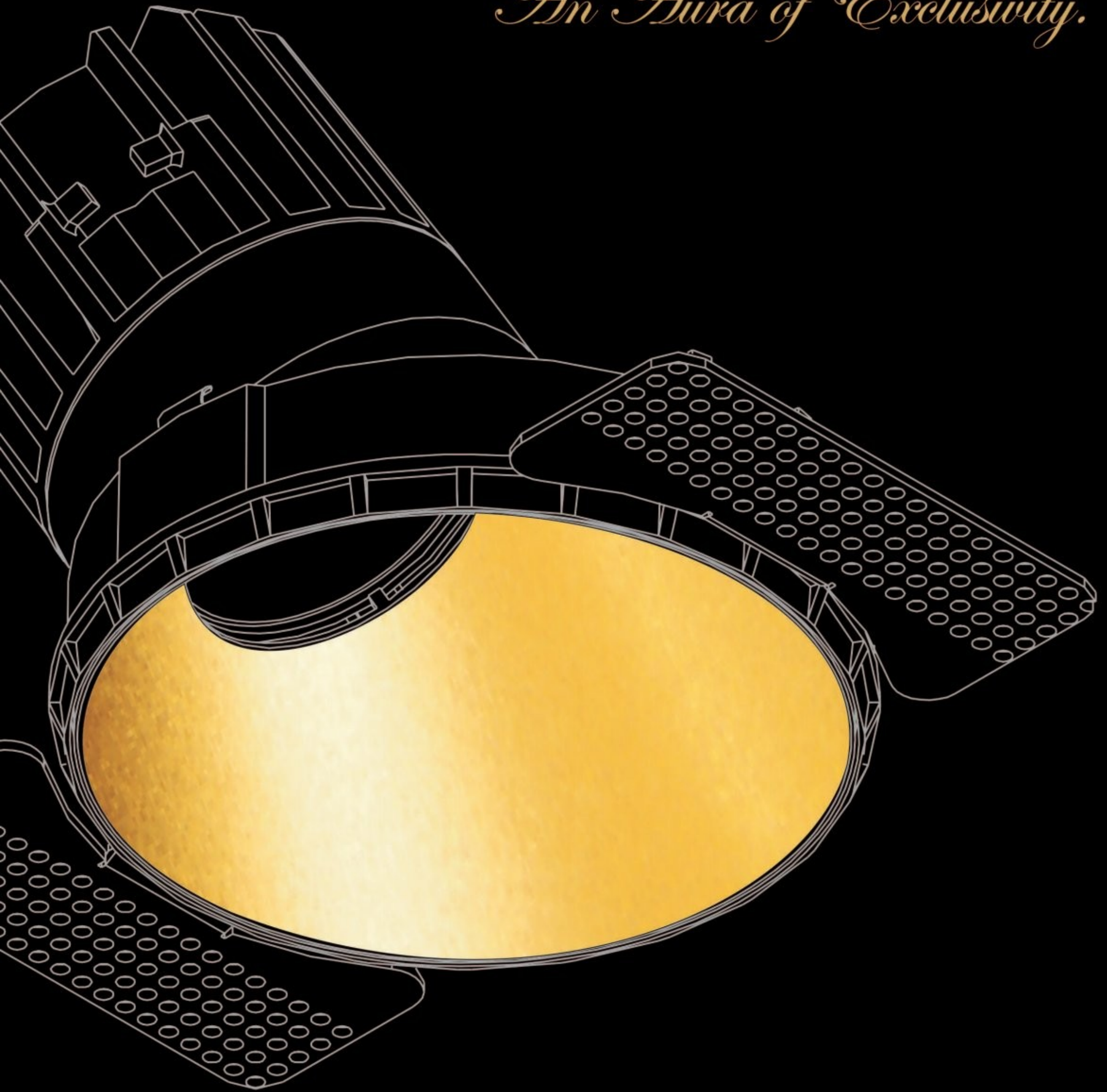


An Aura of Exclusivity.



Shakeel Ahmed
9500 004769

Galaxy Lights
(Complete Lighting Solutions)

138, Chamiers Road,
Nandanam, Chennai - 35.
(Between : Thevar Statue & Times of India)
Email : galaxylightsid@gmail.com
shakeelid@gmail.com

PHILIPS

OSRAM

Panasonic

HAVELLS

EGLO
my light | my style

Jaquar
LIGHTING

HYBEC[®] PRO
lighting the future



13

Hybec's flagship product for professional architects and interior designers, the Pro Series is inspired by the European design tradition.

All source fittings in the premium series are hidden, to create a variety of light illusions.

One flick of a switch can unveil the true power of your designs.

We work closely with Architects, Interior Designers, and Structural Engineers to achieve a concept that compliments the design and ensure a clean and bedazzling installation.

CEILING RECESSED

Shakeel Ahmed
9500 004769

Galaxy Lights
(Complete Lighting Solutions)

138, Chamiers Road,
Nandanam, Chennai - 35.
(Between : Thevar Statue & Times of India)
Email : galaxylightsid@gmail.com
shakeelid@gmail.com

PHILIPS
OSRAM
Panasonic
HAVELLS
EGLO
my light | my style
Jaquar
LIGHTING



PRO-121 + R1
pg:05



PRO-121 + R2
pg:05



PRO-121 + R3
pg:05



PRO-123 + R11
pg:07



PRO-123 + R12
pg:07



PRO-123 + R13
pg:07



PRO-123 + R14
pg:07



PRO-123 + R15
pg:07



PRO-124 + R11
pg:09



PRO-124 + R12
pg:09



PRO-124 + R13
pg:09



PRO-124 + R14
pg:09



PRO-124 + R15
pg:09



PRO-125 + R21
pg:11



PRO-125 + R22
pg:11



PRO-125 + R23
pg:11



PRO-130
pg:12



PRO-135
pg:13



PRO-141
pg:13



PRO-142
pg:15



PRO-143
pg:15



PRO-146
pg:16



PRO-147
pg:16



PRO-148
pg:17



PRO-149
pg:17

CEILING RECESSED



PRO-151
pg:19



PRO-152
pg:20



PRO-153
pg:20



PRO-155
pg:21



PRO-156
pg:23



PRO-158
pg:25



PRO-159
pg:25



PRO-161
pg:27



PRO-162
pg:27



PRO-164
pg:29



PRO-165
pg:29



PRO-168
pg:31



PRO-169
pg:31



PRO-170
pg:31



PRO-171
pg:35



PRO-172
pg:35



PRO-174
pg:35



PRO-175
pg:35



PRO-177
pg:37



PRO-178
pg:37



PRO-179
pg:39



PRO-180
pg:39



PRO-181
pg:41



PRO-183
pg:43



PRO-185
pg:43



PRO-186
pg:45



PRO-188
pg:47



PRO-189
pg:47

CEILING RECESSED



PRO-194
pg:49



PRO-201
pg:51



PRO-202
pg:51



PRO-207
pg:53



PRO-213
pg:55



PRO-214
pg:56



PRO-217
pg:57



PRO-219
pg:57

CEILING SURFACE



PRO-301
pg:58



PRO-302
pg:58



PRO-304
pg:59



PRO-305
pg:60



PRO-306
pg:60



PRO-310
pg:61



PRO-312
pg:62



PRO-314
pg:63

CONCEALED FOOT LIGHT



PRO-341
pg:65



PRO-351
pg:65

Shakeel Ahmed
9500 004769

Galaxy Lights

(Complete Lighting Solutions)

138, Chamiers Road,
Nandanam, Chennai - 35.
(Between : Thevar Statue & Times of India)
Email : galaxylightsid@gmail.com
shakeelid@gmail.com

PHILIPS

OSRAM

Panasonic

HAVELLS

EGLO
my light | my style

Jaquar
LIGHTING

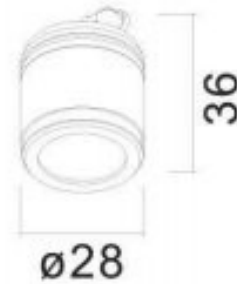


LED DOWN LIGHT



LED MODULE LIGHT Model No.: PRO-121

Housing Material : Aluminium
Body Colour : White
Power : 4W
Light Source : CREE LED
Beam Angle : 24°
CRI >80
Current : 9V 350mA



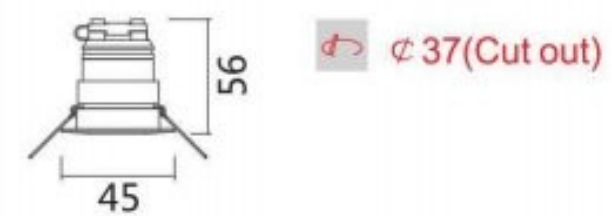
COLOUR :

- Warm White (3000K) (250LM ± 5%)
- Daylight (4000K) (265LM ± 5%)



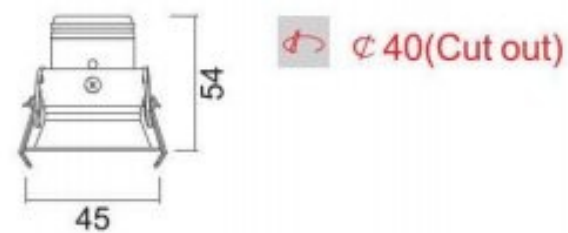
Model No.: R1 LED DOWNLIGHT HOUSING

Housing Material : Aluminium
Body Colour : White Outer Rim with Black Recessed
Product Size : $\phi 45 \times 56$ mm
Cut-Out Size : $\phi 37$ mm



Model No.: R2 LED DOWNLIGHT HOUSING

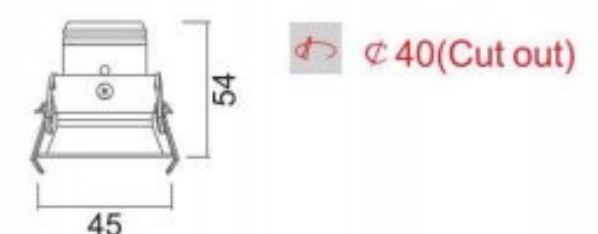
Housing Material : Aluminium
Body Colour : WHITE
Product Size : $\phi 45 \times 54$ mm
Cut-Out Size : $\phi 40$ mm



Model No.: R3 LED DOWNLIGHT HOUSING

Housing Material : Aluminium
Body Colour : GOLD

Product Size : $\phi 45 \times 54$ mm
Cut-Out Size : $\phi 40$ mm



DIMMING OPTION AVAILABLE WITH ATCO TRIDONIC 1-10V TRACK DIMMING.



Shakeel Ahmed
9500 004769

Galaxy Lights
(Complete Lighting Solutions)

138, Chamiers Road,
Nandanam, Chennai - 35.
(Between : Thevar Statue & Times of India)
Email : galaxylightsid@gmail.com
shakeelid@gmail.com

PHILIPS
OSRAM
Panasonic
HAVELLS

EGLO
my light | my style

Jaquar
LIGHTING

LED DOWN LIGHT



LED MODULE LIGHT
Model No.: PRO-123

Housing Material : Aluminium
Body Colour : Metallic Grey
Power :8W
Light Source : CREE LED
Beam Angle : 30°
CRI >80
Current : 18V 350mA



COLOUR :

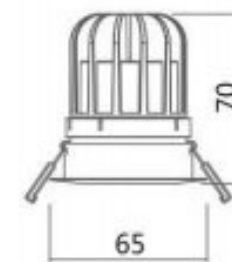
- Warm White (3000K) (600LM ±5%)
- Daylight (4000K) (635LM ±5%)



Model No.: R11
LED DOWNLIGHT HOUSING

Housing Material : Aluminium
Body Colour : White Outer Rim with Black Recessed

Product Size : ϕ 65x70mm
Cut-Out Size : ϕ 58mm



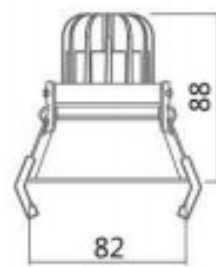
 ϕ 58(Cut out)



Model No.: R12
LED DOWNLIGHT HOUSING

Housing Material : Aluminium
Body Colour : WHITE / BLACK

Product Size : ϕ 82x88mm
Cut-Out Size : ϕ 77mm



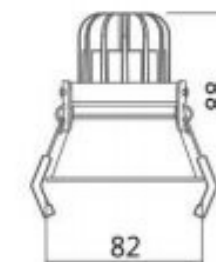
 ϕ 77(Cut out)




Model No.: R13
LED DOWNLIGHT HOUSING

Housing Material : Aluminium
Body Colour : GOLD

Product Size : ϕ 82x53mm
Cut-Out Size : ϕ 77mm



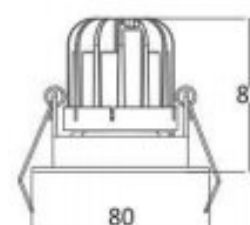
 ϕ 77(Cut out)




Model No.: R14
LED DOWNLIGHT HOUSING

Housing Material : Aluminium
Body Colour : WHITE

Product Size : 80x80x86mm
Cut-Out Size : 68x68mm



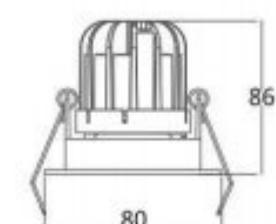
 68*68(Cut out)



Model No.: R15
LED DOWNLIGHT HOUSING

Housing Material : Aluminium
Body Colour : GOLD

Product Size : 80x80x86mm
Cut-Out Size : 68x68mm



 68*68(Cut out)



DIMMING OPTION AVAILABLE WITH ATCO TRIDONIC 1-10V TRACK DIMMING.

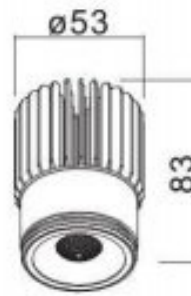


LED DOWN LIGHT



LED MODULE LIGHT Model No.: PRO-124

Housing Material : Aluminium
Body Colour : White
Power :13W
Light Source : CREE LED
Beam Angle : 30°
CRI >80
Current : 6V 350mA



COLOUR :

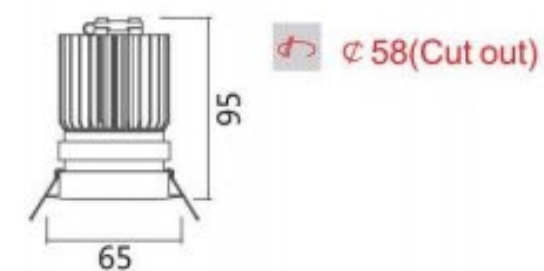
- Warm White (3000K) (1205LM±5%)
- Daylight (4000K) (1270LM±5%)



Model No.: R11 LED DOWNLIGHT HOUSING

Housing Material : Aluminium
Body Colour : White Outer Rim with Black Recessed

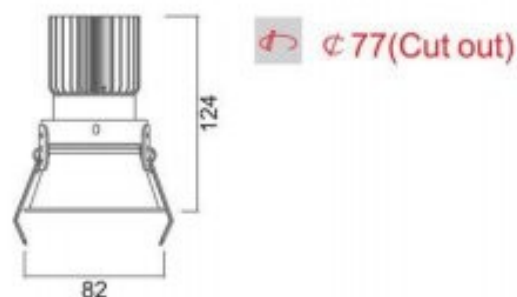
Product Size : $\phi 65 \times 95$ mm
Cut-Out Size : $\phi 58$ mm



Model No.: R12 LED DOWNLIGHT HOUSING

Housing Material : Aluminium
Body Colour : WHITE / BLACK

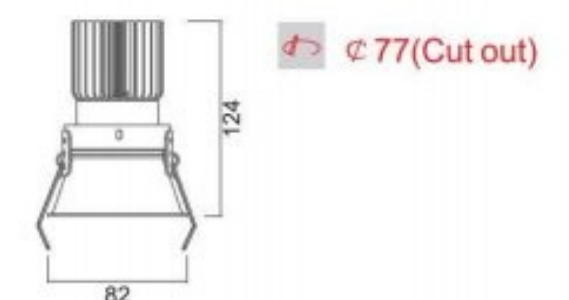
Product Size : $\phi 82 \times 124$ mm
Cut-Out Size : $\phi 77$ mm



Model No.: R13 LED DOWNLIGHT HOUSING

Housing Material : Aluminium
Body Colour : GOLD

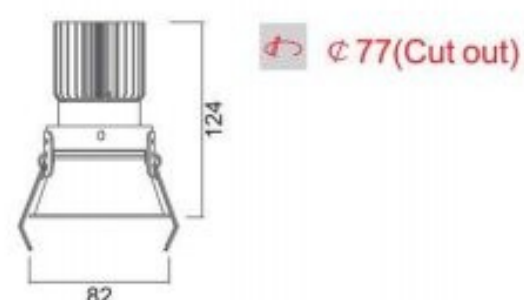
Product Size : $\phi 82 \times 124$ mm
Cut-Out Size : $\phi 77$ mm



Model No.: R14 LED DOWNLIGHT HOUSING

Housing Material : Aluminium
Body Colour : WHITE

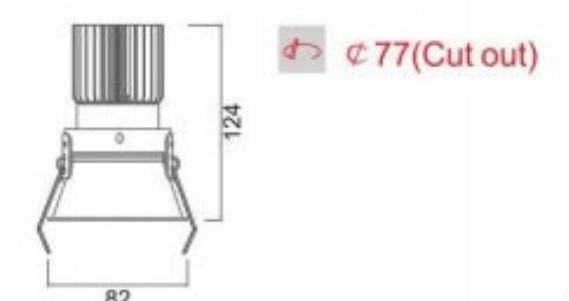
Product Size : $82 \times 82 \times 124$ mm
Cut-Out Size : 77×77 mm



Model No.: R15 LED DOWNLIGHT HOUSING

Housing Material : Aluminium
Body Colour : GOLD

Product Size : $82 \times 82 \times 124$ mm
Cut-Out Size : 77×77 mm



DIMMING OPTION AVAILABLE WITH ATCO TRIDONIC 1-10V TRACK DIMMING.

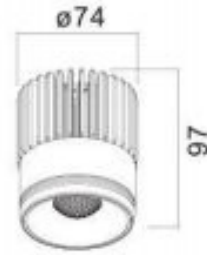


LED DOWN LIGHT



LED MODULE LIGHT
Model No.: PRO-125

Housing Material : Aluminium
Body Colour : White
Power : 20W
Light Source : CREE LED
Beam Angle : 30°
CRI >80
Current : 36V 500mA



COLOUR :

- Warm White (3000K) (1900LM ±5%)
- Daylight (4000K) (2000LM ±5%)

Shakeel Ahmed
9500 004769

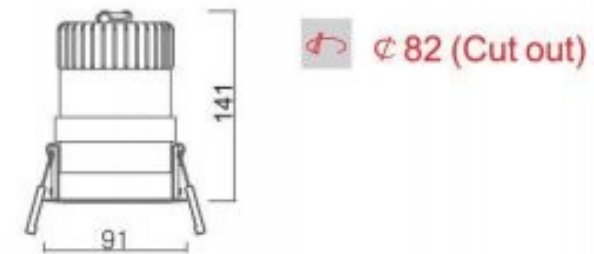
Galaxy Lights
(Complete Lighting Solutions)

138, Chamiers Road,
Nandanam, Chennai - 35.
(Between : Thevar Statue & Times of India)
Email : galaxylightsid@gmail.com
shakeelid@gmail.com



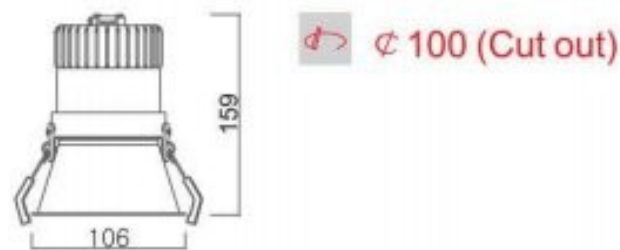
Model No.: R21
LED DOWNLIGHT HOUSING

Housing Material : Aluminium
Body Colour : White Outer Rim with Black Recessed
Product Size : $\phi 91 \times 141$ mm
Cut-Out Size : $\phi 82$ mm



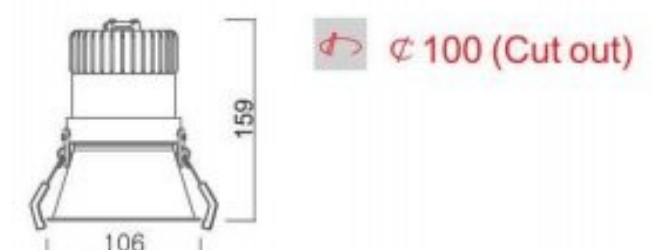
Model No.: R22
LED DOWNLIGHT HOUSING

Housing Material : Aluminium
Body Colour : WHITE
Product Size : $\phi 106 \times 159$ mm
Cut-Out Size : $\phi 100$ mm



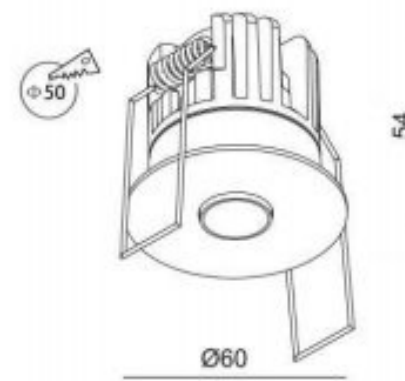
Model No.: R23
LED DOWNLIGHT HOUSING

Housing Material : Aluminium
Body Colour : GOLD
Product Size : $\phi 106 \times 159$ mm
Cut-Out Size : $\phi 100$ mm



DIMMING OPTION AVAILABLE WITH ATCO TRIDONIC 1-10V TRACK DIMMING.

LED DOWN LIGHT



Model No.: PRO-130

Housing Material : Aluminium Die-Cast

Body Colour : Matte Black

Power : 8.7W

Light Source : CREE LED

Beam Angle : 16.8°

CRI : 90

Current : 700mA

COLOUR :

Warm White (3000K) (450LM ± 5%)

Daylight (4000K) (473LM ± 5%)



DIMMING OPTION AVAILABLE WITH ATCO TRIDONIC 1-10V TRACK DIMMING.



LED DOWN LIGHT

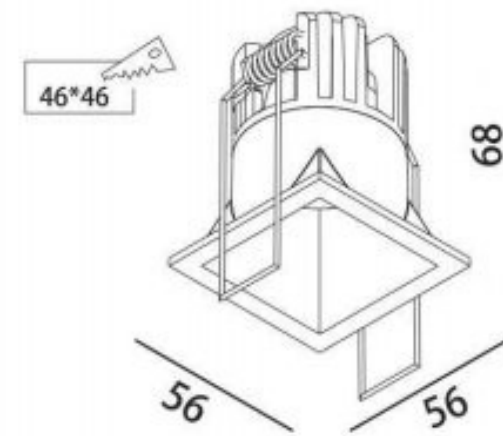


Model No.: PRO-135

Housing Material : Aluminium Die-Cast
Body Colour : **White / Black**
Power : 6.2W / 8.9W
Light Source : BRIDGELUX LED
Beam Angle : 24°
CRI : 90
Current : 350mA/500mA

COLOUR :

Warm White (3000K) (708LM ± 5%)
Daylight (4000K) (744LM ± 5%)

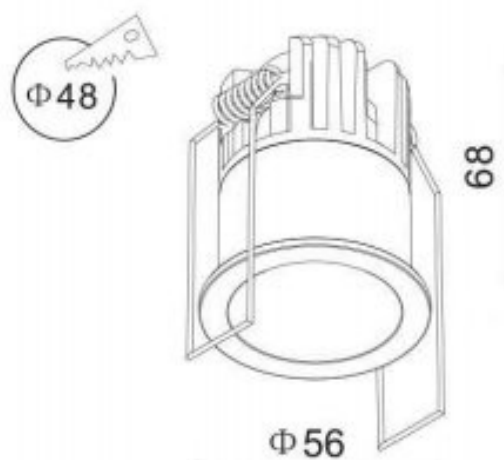


Model No.: PRO-141

Housing Material : Aluminium Die-Cast
Body Colour : **White / Black**
Power : 6.2W / 8.9W
Light Source : BRIDGELUX LED
Beam Angle : 24°
CRI : 90
Current : 350mA/500mA

COLOUR :

Warm White (3000K) (708LM ± 5%)
Daylight (4000K) (744LM ± 5%)



DIMMING OPTION AVAILABLE WITH ATCO TRIDONIC 1-10V TRACK DIMMING.



LED DOWN LIGHT



Model No.: PRO-142

Housing Material : Aluminium Die-Cast
Body Colour : **White**
Power : 6.9W / 10W / 15W
Light Source : BRIDGELUX LED
Beam Angle : 32°
CRI : 90
Current : 350mA/500mA/700mA

COLOUR :

Warm White (3000K) (768LM ± 5%)
Daylight (4000K) (806LM ± 5%)



Shakeel Ahmed
9500 004769

Galaxy Lights
(Complete Lighting Solutions)

138, Chamiers Road,
Nandanam, Chennai - 35.
(Between : Thevar Statue & Times of India)
Email : galaxylightsid@gmail.com
shakeelid@gmail.com

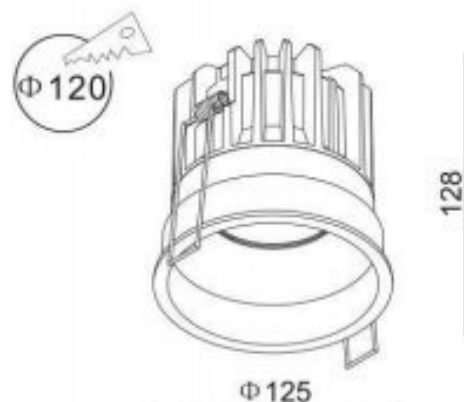


Model No.: PRO-143

Housing Material : Aluminium Die-Cast
Body Colour : **White**
Power : 38W
Light Source : LUMINUS LED
Beam Angle : 38°
CRI : 90
Current : 1050mA

COLOUR :

Warm White (3000K) (2250 LM ± 5%)
Daylight (4000K) (2363 LM ± 5%)



DIMMING OPTION AVAILABLE WITH ATCO TRIDONIC 1-10V TRACK DIMMING.

LED DOWN LIGHT

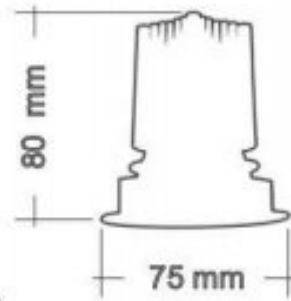


Model No.: PRO-146

Housing Material : Aluminium Die-Cast
 Body Colour : **White**
Power : 8W
 Light Source : CREE LED
 Beam Angle : 25°
 CRI : 90
 Current : 180mA

COLOUR :

Warm White (3000K) (388LM ± 5%)
 Daylight (4000K) (400LM ± 5%)

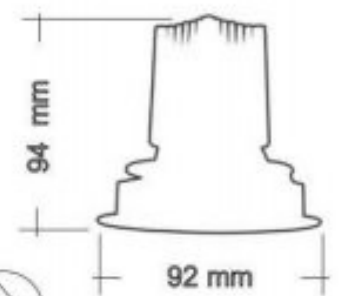


Model No.: PRO-147

Housing Material : Aluminium Die-Cast
 Body Colour : **White**
Power : 8W
 Light Source : CREE LED
 Beam Angle : 25°
 CRI : 90
 Current : 180mA

COLOUR :

Warm White (3000K) (418LM ± 5%)
 Daylight (4000K) (468LM ± 5%)



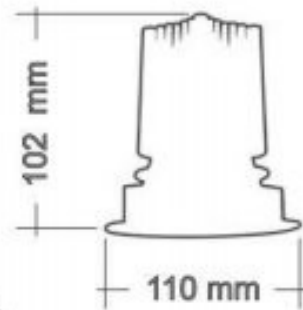
DIMMING OPTION AVAILABLE WITH ATCO TRIDONIC 1-10V TRACK DIMMING.

LED DOWN LIGHT



Model No.: PRO-148

Housing Material : Aluminium Die-Cast
 Body Colour : **White**
Power : 15W
 Light Source : CREE LED
 Beam Angle : 38°
 CRI : 90
 Current : 350mA



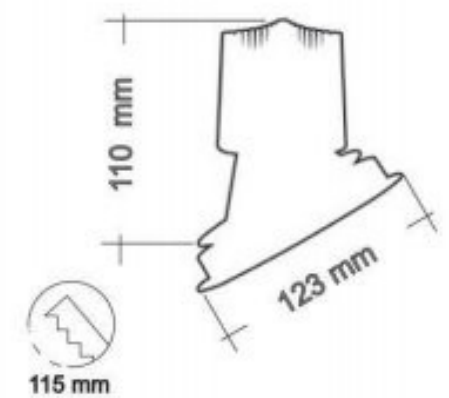
COLOUR :

Warm White (3000K) (745LM ± 5%)
 Daylight (4000K) (770LM ± 5%)



Model No.: PRO-149

Housing Material : Aluminium Die-Cast
 Body Colour : **White**
Power : 15W
 Light Source : CREE LED
 Beam Angle : 38°
 CRI : 90
 Current : 350mA



COLOUR :

Warm White (3000K) (780LM ± 5%)
 Daylight (4000K) (810LM ± 5%)



DIMMING OPTION AVAILABLE WITH ATCO TRIDONIC 1-10V TRACK DIMMING.



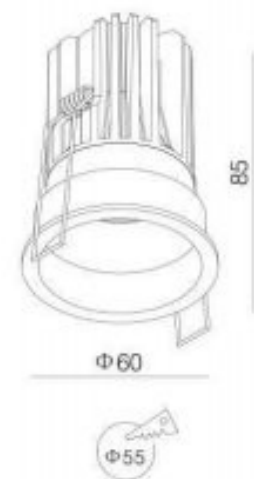
LED DOWN LIGHT



Shakeel Ahmed
9500 004769

Galaxy Lights
(Complete Lighting Solutions)

138, Chamiers Road,
Nandanam, Chennai - 35.
(Between : Thevar Statue & Times of India)
Email : galaxylightsid@gmail.com
shakeelid@gmail.com

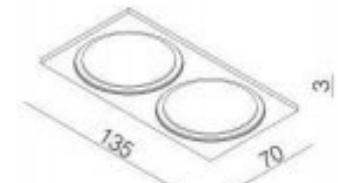
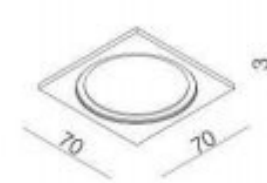
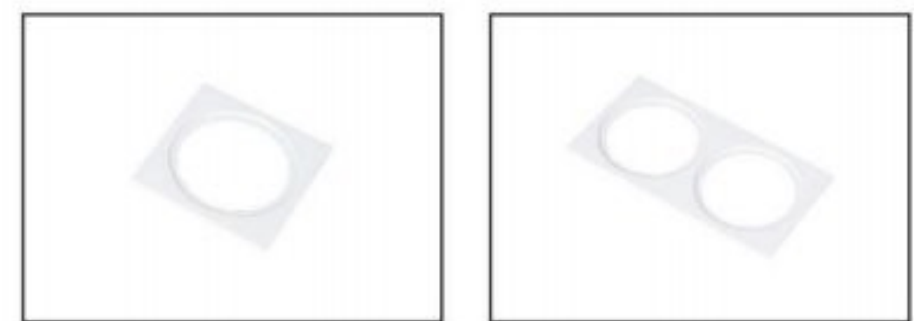


Model No.: PRO-151

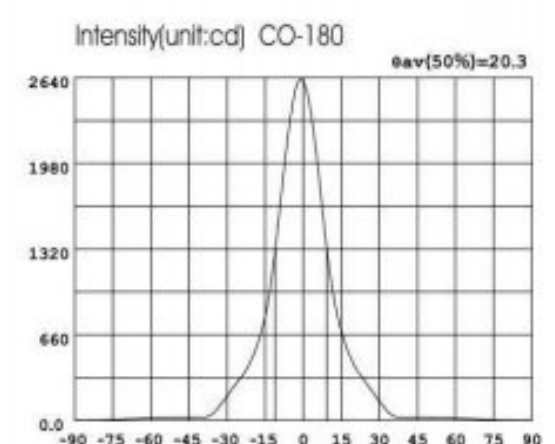
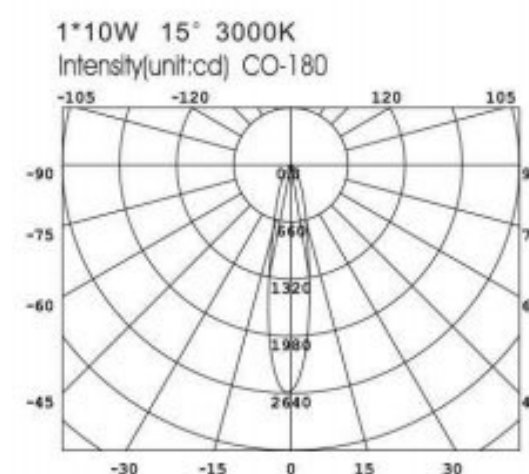
Housing Material : Aluminium Die-Cast
Body Colour : White Matt
Power : 7W/10W
Light Source : Bridgelux LED
Beam Angle : 36°
CRI : 90
Current : 350mA/20V DC - 7w
500mA/20.5V DC - 10w

COLOUR :

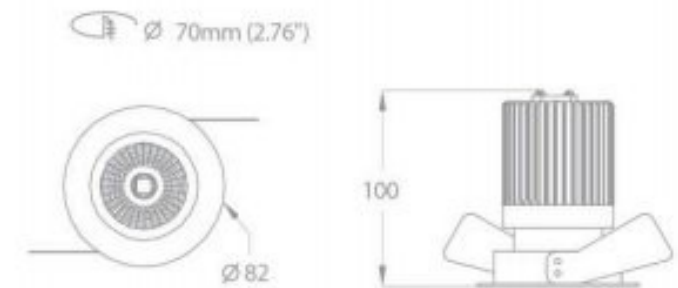
Warm White (3000K) (550LM ± 5%)
Daylight (4000K) (578LM ± 5%)



DIMMING OPTION AVAILABLE WITH ATCO TRIDONIC 1-10V TRACK DIMMING.



LED DOWN LIGHT

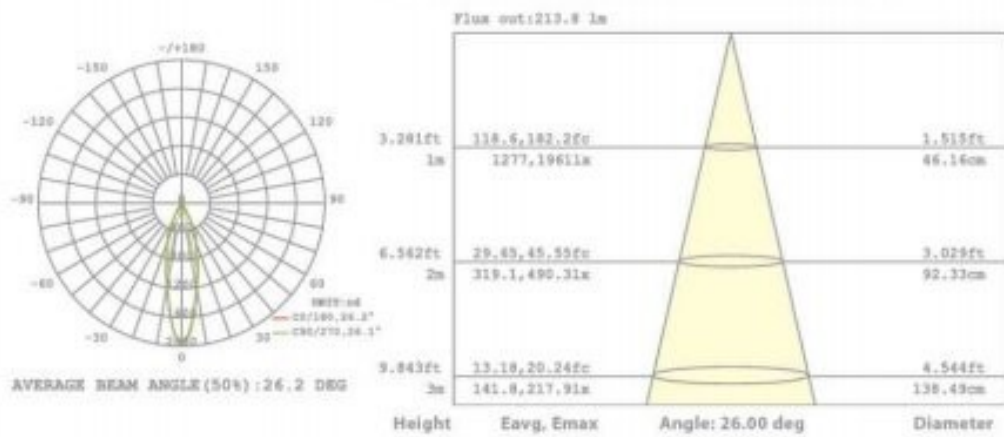


Model No.: PRO-152

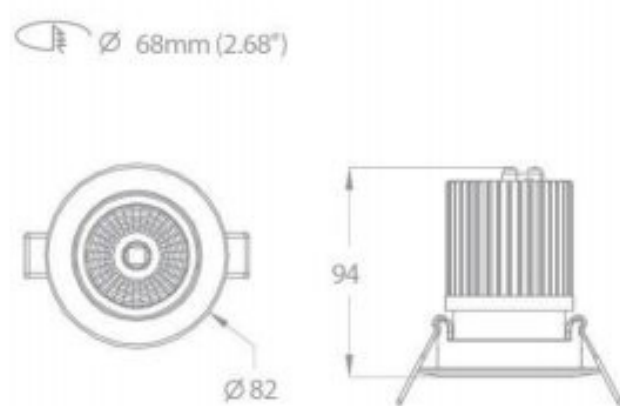
Housing Material : Aluminium Die-Cast
Body Colour : White
Power : 10W
Light Source : Sharp LED
Beam Angle : 26°
CRI : 80
Current : 500mA

COLOUR :

Warm White (3000K) (615 LM ± 5%)



DIMMING OPTION AVAILABLE WITH ATCO TRIDONIC 1-10V TRACK DIMMING.

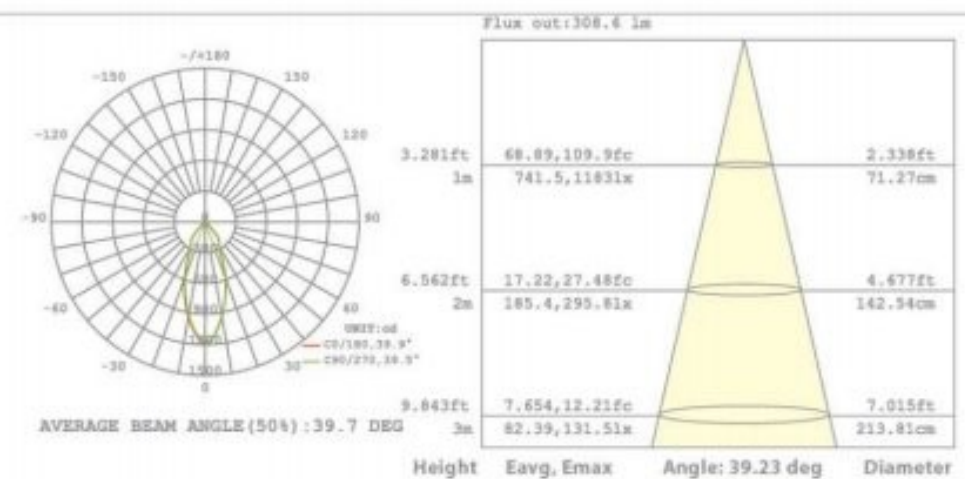


Model No.: PRO-153

Housing Material : Aluminium Die-Cast
Body Colour : White
Power : 10W
Light Source : Sharp LED
Beam Angle : 40°
CRI : 80
Current : 500mA

COLOUR :

Warm White (3000K) (725 LM ± 5%)



DIMMING OPTION AVAILABLE WITH ATCO TRIDONIC 1-10V TRACK DIMMING.

LED DOWN LIGHT



Model No.: PRO-155

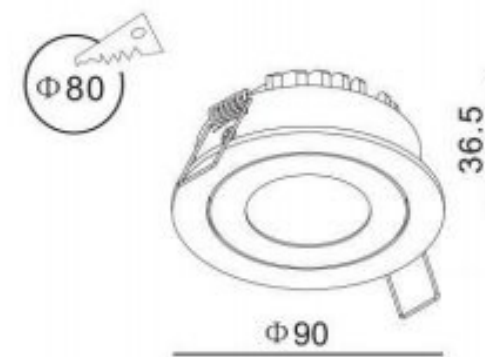
Housing Material : Aluminium Die-Cast
Body Colour : **White**
Power : 9.3W / 13.8W
Light Source : BRIDGELUX LED
Beam Angle : 38°
CRI : 90
Current : 350mA/500mA

COLOUR :

Warm White (3000K) (958 LM ± 5%)
Daylight (4000K) (1006LM ± 5%)



DIMMING OPTION AVAILABLE WITH ATCO TRIDONIC 1-10V TRACK DIMMING.





LED DOWN LIGHT

Shakeel Ahmed
9500 004769

Galaxy Lights
(Complete Lighting Solutions)

138, Chamiers Road,
Nandanam, Chennai - 35.
(Between : Thevar Statue & Times of India)
Email : galaxylightsid@gmail.com
shakeelid@gmail.com

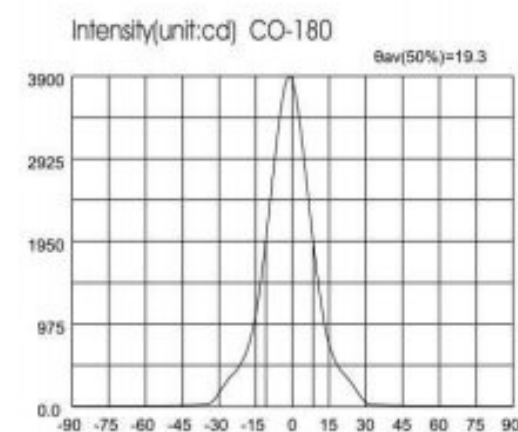
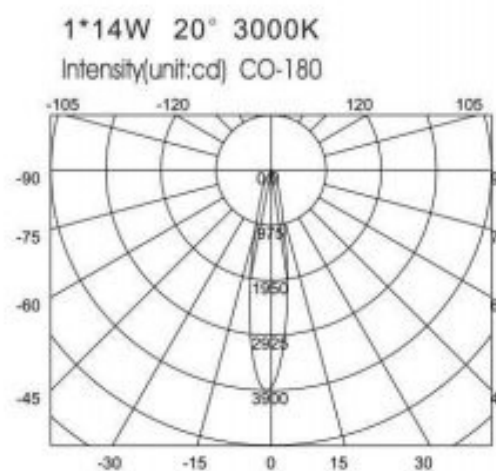
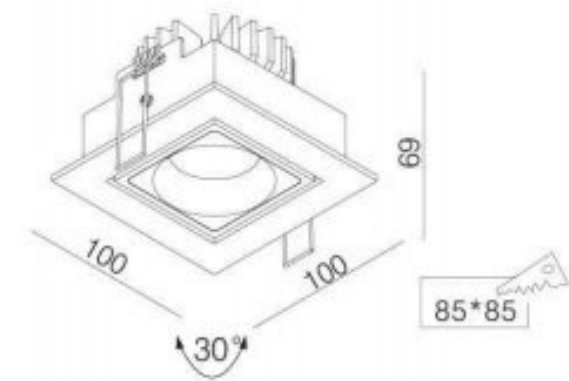


Model No.: PRO-156

Housing Material : Aluminium Die-Cast
Body Colour : White & Black
Power : 14W
Light Source : Bridgelux LED
Beam Angle : 30°
CRI : 90
Current : 500mA/28.6V DC

COLOUR :

Warm White (3000K) (625LM ± 5%)
Daylight (4000K) (656LM ± 5%)



DIMMING OPTION AVAILABLE WITH ATCO TRIDONIC 1-10V TRACK DIMMING.



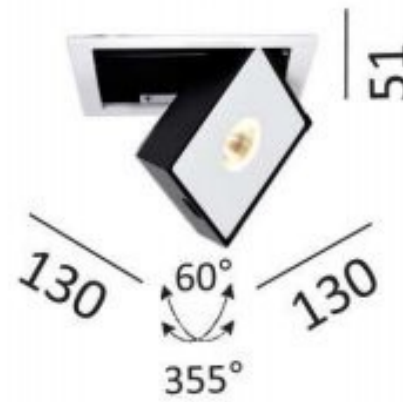
DIMMING OPTION AVAILABLE WITH ATCO TRIDONIC 1-10V TRACK DIMMING.



LED DOWN LIGHT



120x120



Model No.: PRO-158

Housing Material : Aluminium Die-Cast
Body Colour : White
Power : 7W
Light Source : Bridgelux LED
Beam Angle : 28°
CRI : 90
Current : 350mA/20.75V DC

COLOUR :

Warm White (3000K) (350 LM ± 5%)
Daylight (4000K) (370 LM ± 5%)



160x160

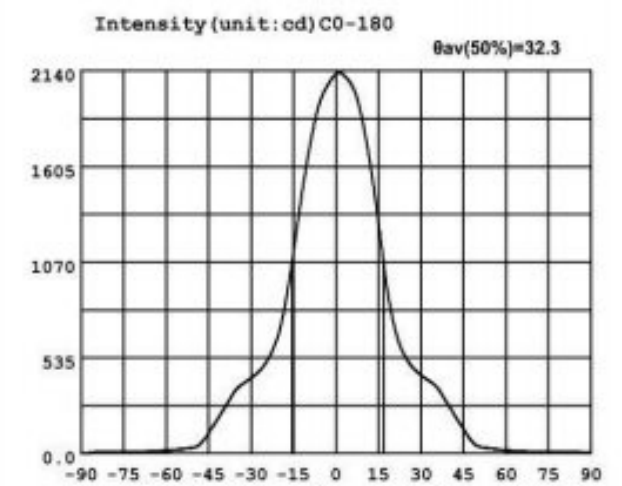
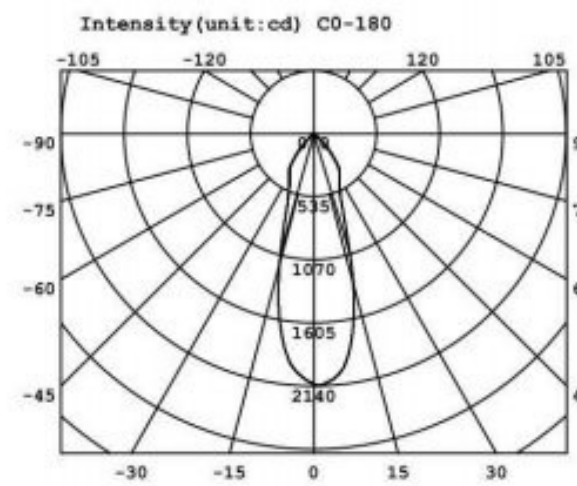
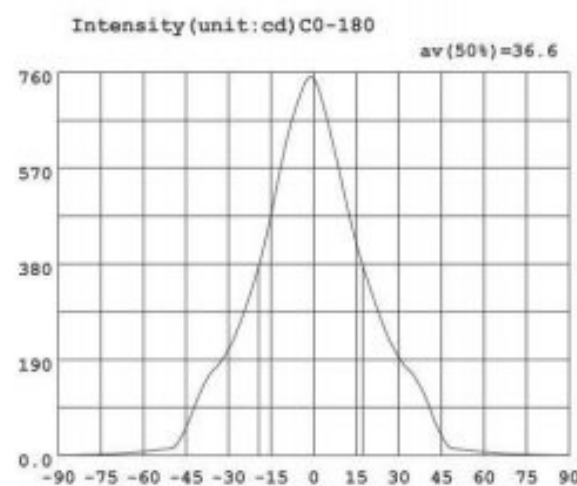
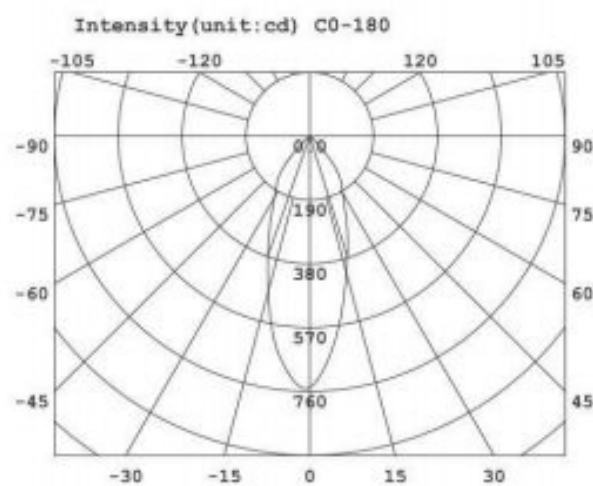


Model No.: PRO-159

Housing Material : Aluminium Die-Cast
Body Colour : White
Power : 15W
Light Source : Bridgelux LED
Beam Angle : 32°
CRI : 90
Current : 700mA/20.75V DC

COLOUR :

Warm White (3000K) (878 LM ± 5%)
Daylight (4000K) (925 LM ± 5%)



DIMMING OPTION AVAILABLE WITH ATCO TRIDONIC 1-10V TRACK DIMMING.



LED DOWN LIGHT

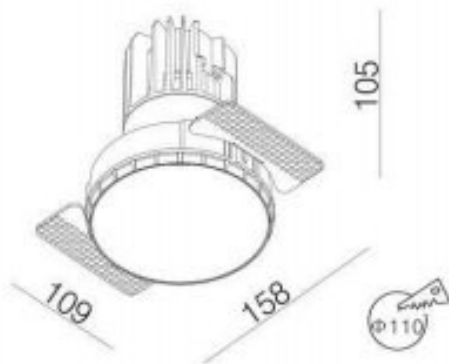


Model No.: PRO-161

Housing Material : Aluminium Die-Cast
Body Colour : White
Power : 13W
Light Source : Luminus LED
Beam Angle : 38°
CRI : 95
Current : 350mA/36V DC

COLOUR :

Warm White (3000K) (852LM ± 5%)
Daylight (4000K) (895LM ± 5%)



Also available in Gold Finish

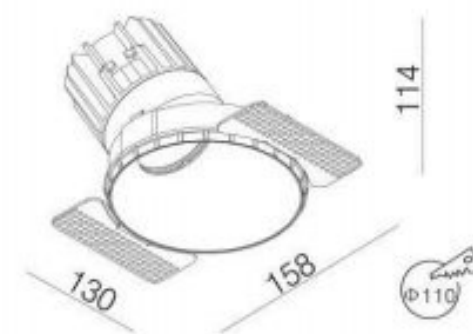


Model No.: PRO-162

Housing Material : Aluminium Die-Cast
Body Colour : White
Power : 13W
Light Source : Luminus LED
Beam Angle : 38°
CRI : 95
Current : 350mA/36V DC

COLOUR :

Warm White (3000K) (852LM ± 5%)
Daylight (4000K) (895LM ± 5%)



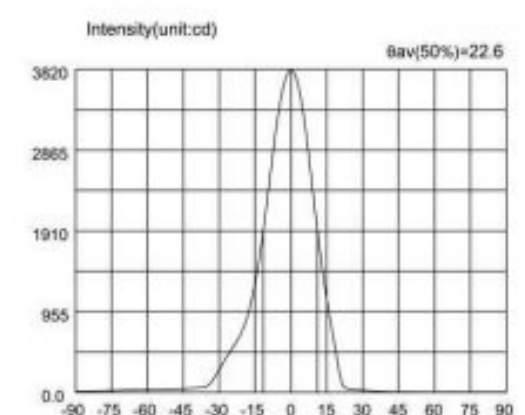
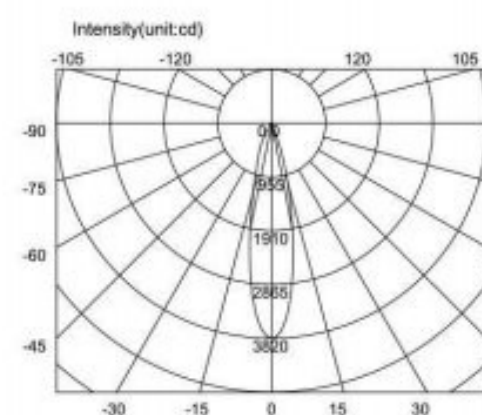
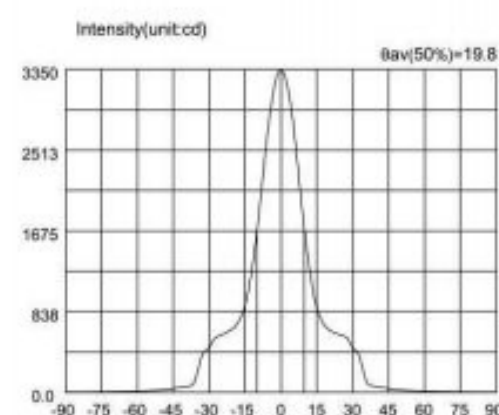
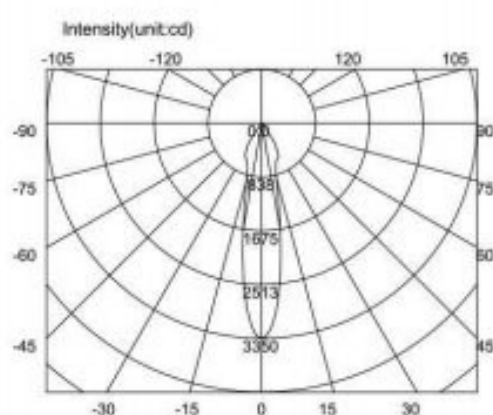
Also available in Gold Finish

Shakeel Ahmed
9500 004769

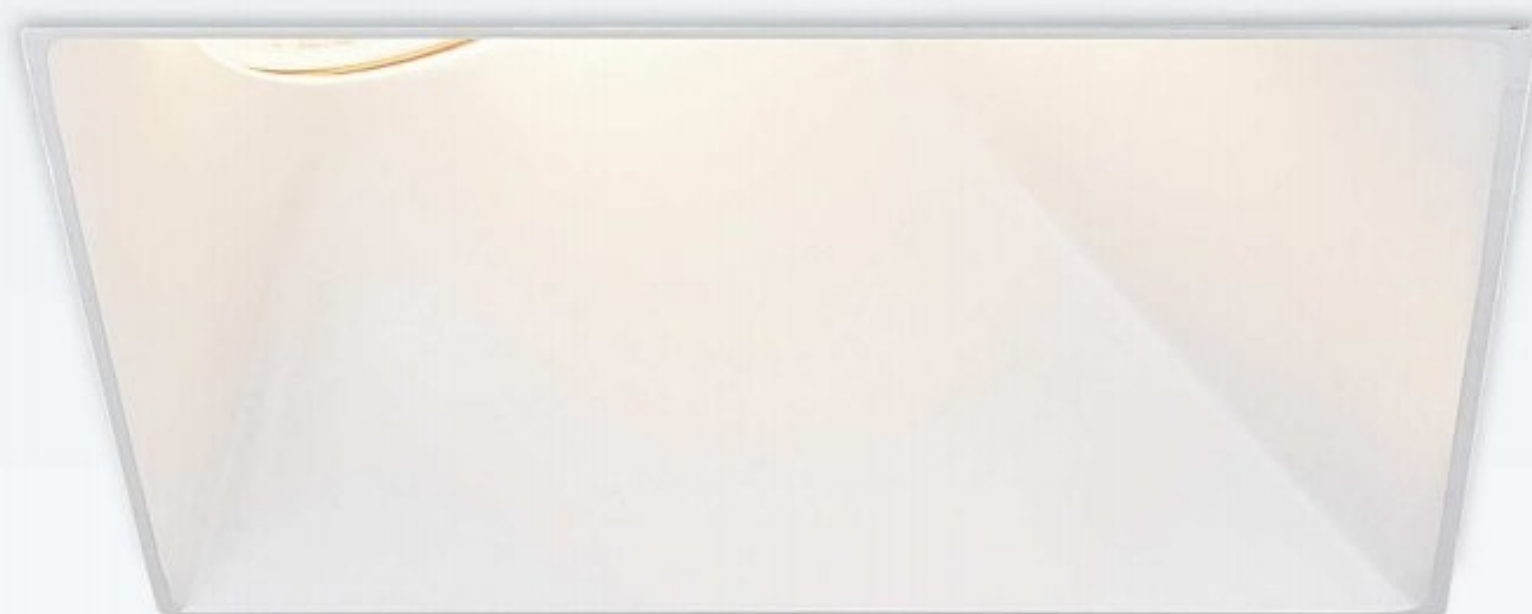
Galaxy Lights
(Complete Lighting Solutions)

138, Chamiers Road,
Nandanam, Chennai - 35.
(Between : Thevar Statue & Times of India)
Email : galaxylightsid@gmail.com
shakeelid@gmail.com

PHILIPS
OSRAM
Panasonic
HAVELLS
EGLO
my light | my style
Jaquar
LIGHTING



DIMMING OPTION AVAILABLE WITH ATCO TRIDONIC 1-10V TRACK DIMMING.



LED DOWN LIGHT

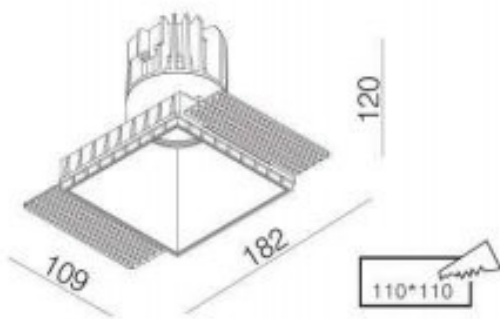


Model No.: PRO-164

Housing Material : Aluminium Die-Cast
Body Colour : White
Power : 13W
Light Source : Luminus LED
Beam Angle : 38°
CRI : 95
Current : 350mA/36V DC

COLOUR :

Warm White (3000K) (852LM ± 5%)
Daylight (4000K) (895LM ± 5%)



Also available in Gold Finish

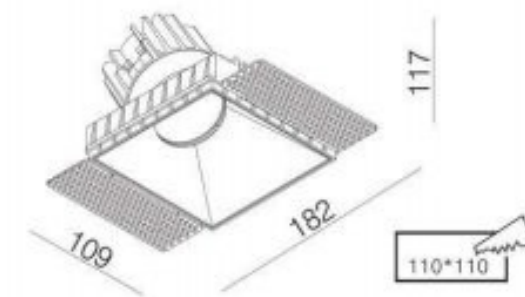


Model No.: PRO-165

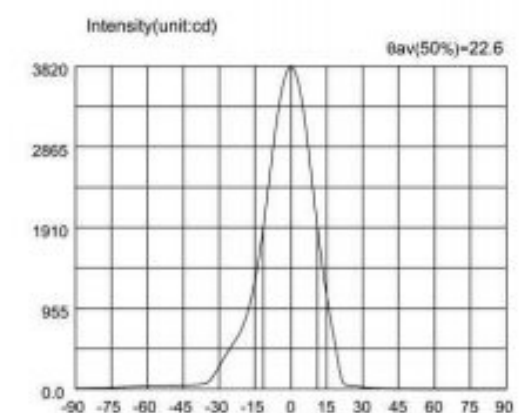
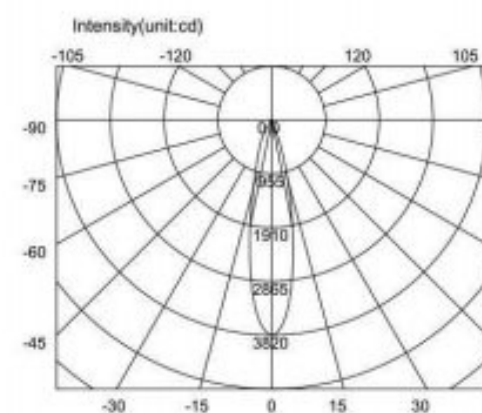
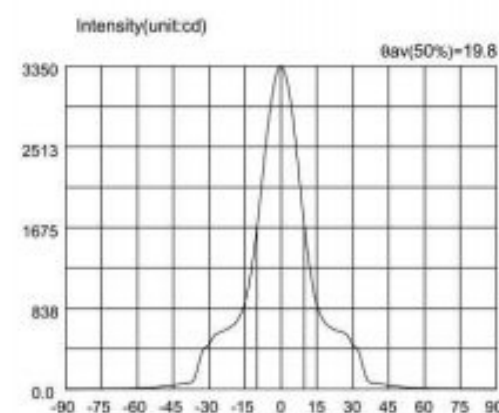
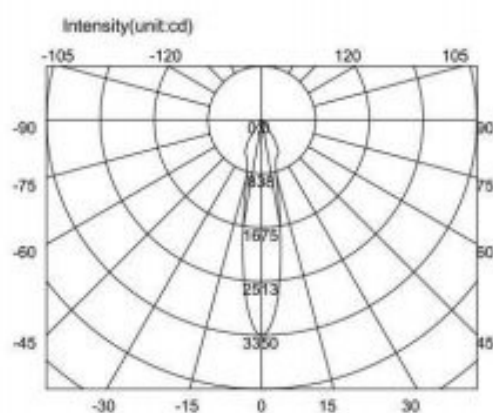
Housing Material : Aluminium Die-Cast
Body Colour : White
Power : 13W
Light Source : Luminus LED
Beam Angle : 38°
CRI : 95
Current : 350mA/36V DC

COLOUR :

Warm White (3000K) (852LM ± 5%)
Daylight (4000K) (895LM ± 5%)



Also available in Gold Finish



DIMMING OPTION AVAILABLE WITH ATCO TRIDONIC 1-10V TRACK DIMMING.



LED DOWN LIGHT

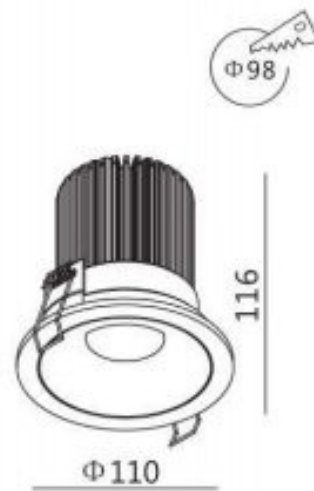


Model No.: PRO-168

Housing Material : Aluminium Die-Cast
Body Colour : White
Power : 15W
Light Source : Bridgelux LED
Beam Angle : 32°
CRI : 90
Current : 700mA/20.75V DC

COLOUR :

Warm White (3000K) (907 LM ± 5%)
Daylight (4000K) (955 LM ± 5%)

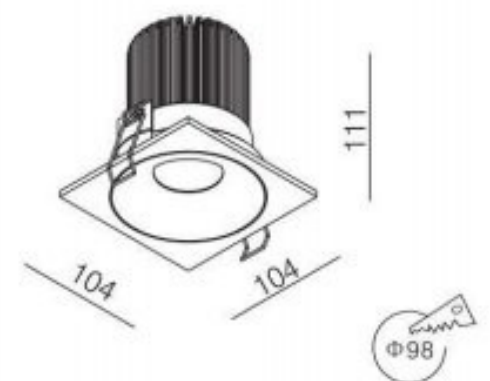


Model No.: PRO-169

Housing Material : Aluminium Die-Cast
Body Colour : White
Power : 15W
Light Source : Bridgelux LED
Beam Angle : 32°
CRI : 90
Current : 700mA/20.75V DC

COLOUR :

Warm White (3000K) (907 LM ± 5%)
Daylight (4000K) (955 LM ± 5%)

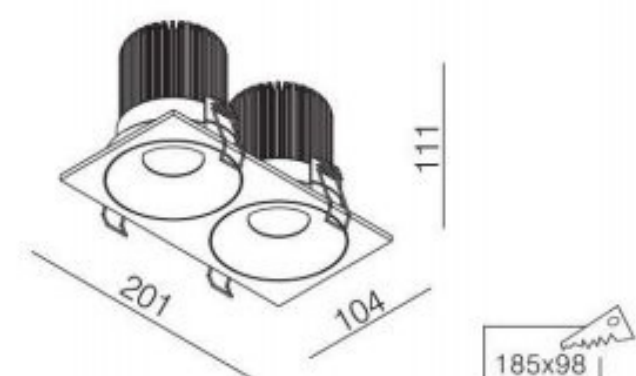


Model No.: PRO-170

Housing Material : Aluminium Die-Cast
Body Colour : White
Power : 2x15W
Light Source : Bridgelux LED
Beam Angle : 32°
CRI : 90
Current : 700mA/2x20.75V DC

COLOUR :

Warm White (3000K) (1871LM ± 5%)
Daylight (4000K) (1965LM ± 5%)



Shakeel Ahmed
9500 004769
Galaxy Lights
(Complete Lighting Solutions)
138, Chamiers Road,
Nandanam, Chennai - 35.
(Between : Thevar Statue & Times of India)
Email : galaxylightsid@gmail.com
shakeelid@gmail.com



DIMMING OPTION AVAILABLE WITH ATCO TRIDONIC 1-10V TRACK DIMMING.







Shakeel Ahmed
9500 004769

Galaxy Lights
(Complete Lighting Solutions)

138, Chamiers Road,
Nandanam, Chennai - 35.
(Between : Thevar Statue & Times of India)
Email : galaxylightsid@gmail.com
shakeelid@gmail.com

PHILIPS

OSRAM

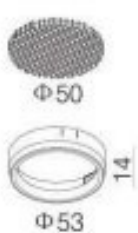
Panasonic

HAVELLS

EGLO
my light | my style

Jaquar
LIGHTING

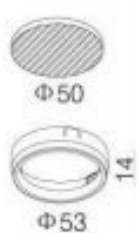
S-10



S-11



S-12



LED DOWN LIGHT

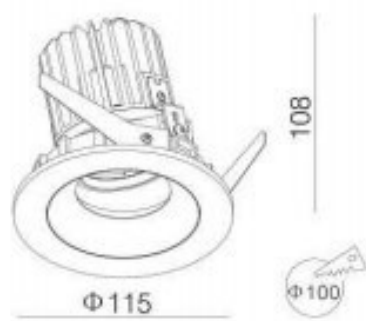


Model No.: PRO-171

Housing Material : Aluminium Die-Cast
Body Colour : White & Black
Power : 13W
Light Source : Luminus LED
Beam Angle : 24°
CRI : 95
Current : 350mA/36V DC

COLOUR :

Warm White (3000K) (682LM ± 5%)
Daylight (4000K) (716LM ± 5%)



Model No.: PRO-172



Body Colour : White & Gold

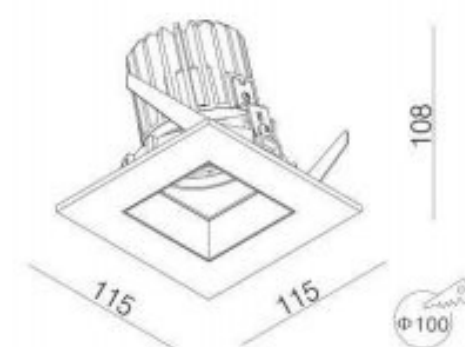


Model No.: PRO-174

Housing Material : Aluminium Die-Cast
Body Colour : White & Black
Power : 13W
Light Source : Luminus LED
Beam Angle : 24°
CRI : 95
Current : 350mA/36V DC

COLOUR :

Warm White (3000K) (682LM ± 5%)
Daylight (4000K) (716LM ± 5%)



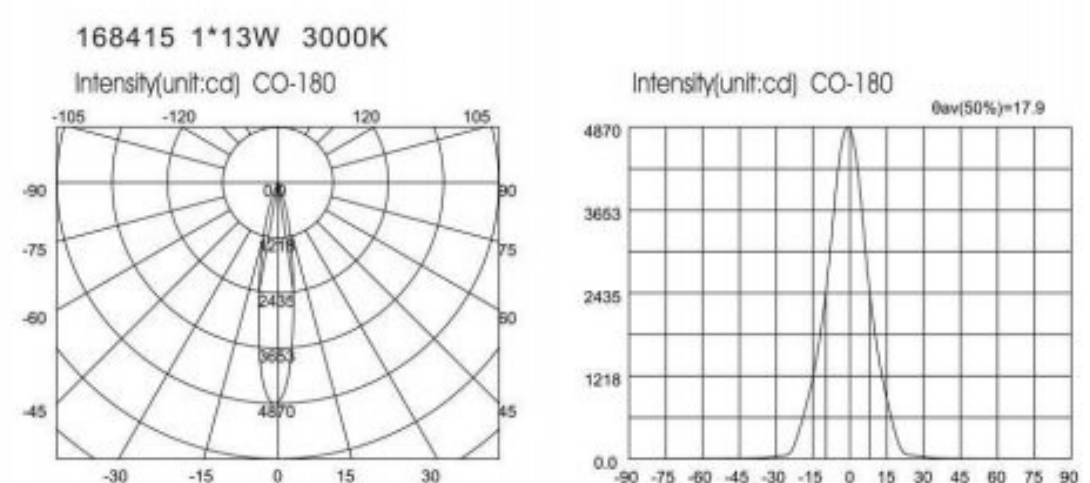
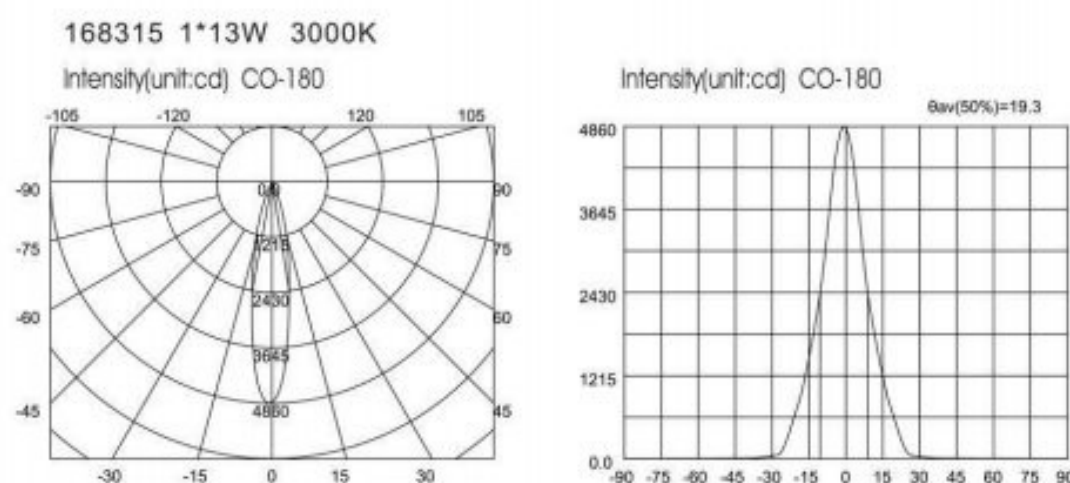
Model No.: PRO-175



Body Colour : White & Gold



DIMMING OPTION AVAILABLE WITH ATCO TRIDONIC 1-10V TRACK DIMMING.





LED DOWN LIGHT

Shakeel Ahmed
9500 004769

Galaxy Lights
(Complete Lighting Solutions)

138, Chamiers Road,
Nandanam, Chennai - 35.
(Between : Thevar Statue & Times of India)
Email : galaxylightsid@gmail.com
shakeelid@gmail.com

PHILIPS
OSRAM
Panasonic
HAVELLS
EGLO
my light | my style
Jaquar
LIGHTING



Model No.: PRO-177

Housing Material : Aluminium Die-Cast
Body Colour : White
Power : 15W
Light Source : Bridgelux LED
Beam Angle : 32°
CRI : 90
Current : 700mA/20.75V DC

COLOUR :

Warm White (3000K) (905 LM ± 5%)
Daylight (4000K) (955 LM ± 5%)

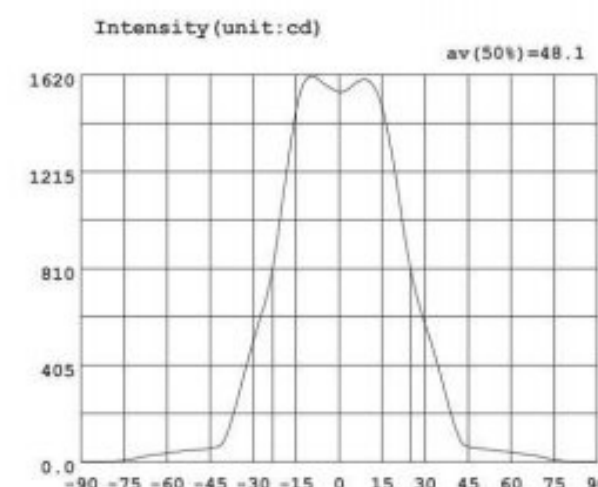
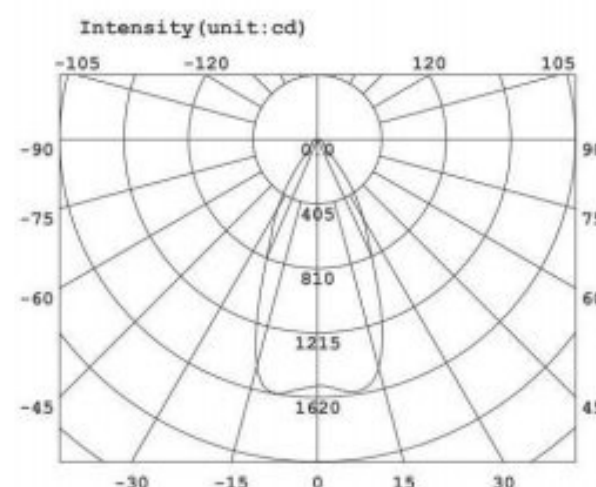
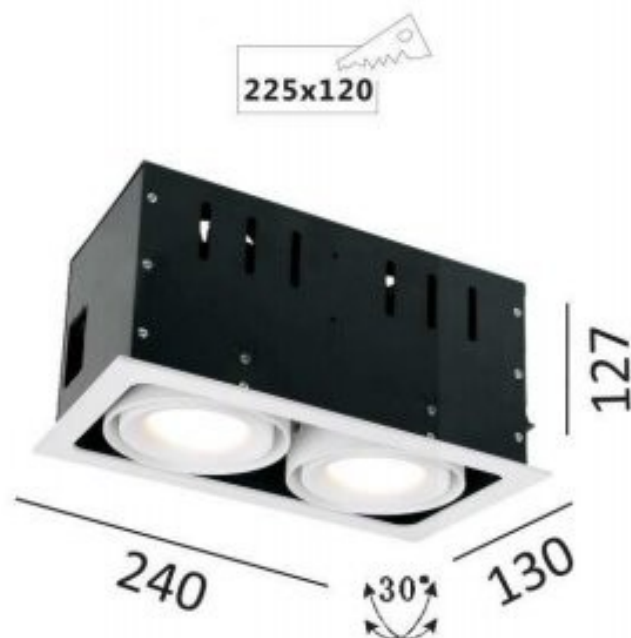


Model No.: PRO-178

Housing Material : Aluminium Die-Cast
Body Colour : White
Power : 2x15W
Light Source : Bridgelux LED
Beam Angle : 32°
CRI : 90
Current : 700mA/20.75V DC

COLOUR :

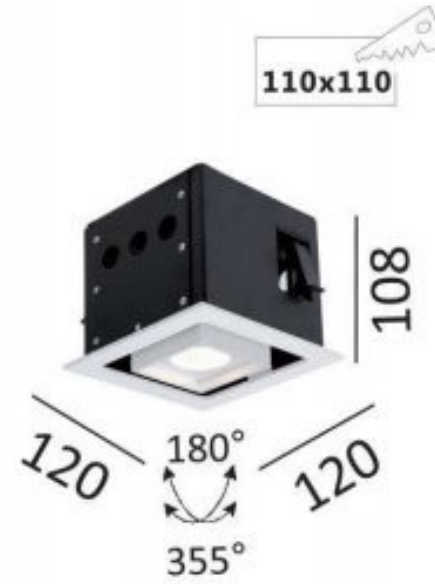
Warm White (3000K) (1207LM ± 5%)
Daylight (4000K) (1267LM ± 5%)



DIMMING OPTION AVAILABLE WITH ATCO TRIDONIC 1-10V TRACK DIMMING.



LED DOWN LIGHT



Model No.: PRO-179

Housing Material : Aluminium Die-Cast
Body Colour : White
Power : 10W
Light Source : Bridgelux LED
Beam Angle : 28°
CRI : 90
Current : 500mA/18.6V DC

COLOUR :

Warm White (3000K) (497 LM ± 5%)
Daylight (4000K) (525 LM ± 5%)

Model No.: PRO-180

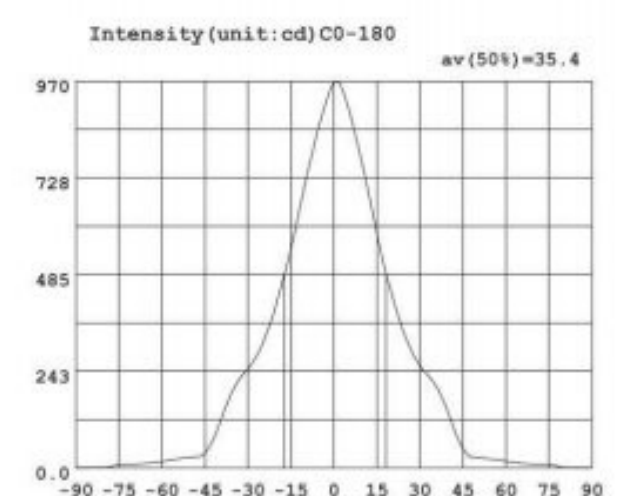
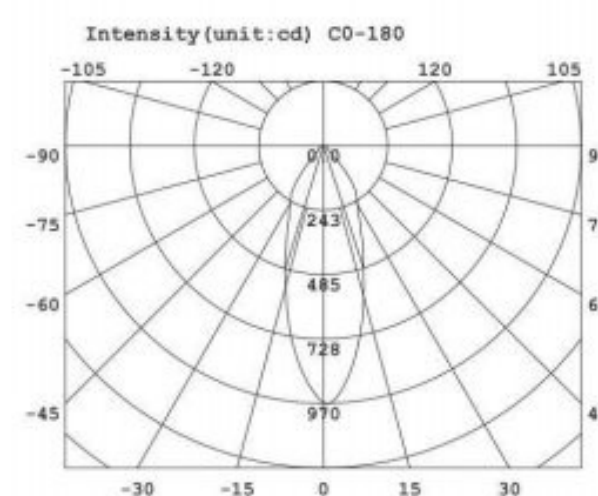
Housing Material : Aluminium Die-Cast
Body Colour : White
Power : 2X10W
Light Source : Bridgelux LED
Beam Angle : 28°
CRI : 90
Current : 500mA/18.6V DC

COLOUR :

Warm White (3000K) (1061LM ± 5%)
Daylight (4000K) (1120LM ± 5%)



DIMMING OPTION AVAILABLE WITH ATCO TRIDONIC 1-10V TRACK DIMMING.



LED DOWN LIGHT

Shakeel Ahmed
9500 004769

Galaxy Lights
(Complete Lighting Solutions)

138, Chamiers Road,
Nandanam, Chennai - 35.
(Between : Thevar Statue & Times of India)
Email : galaxylightsid@gmail.com
shakeelid@gmail.com

PHILIPS

OSRAM

Panasonic

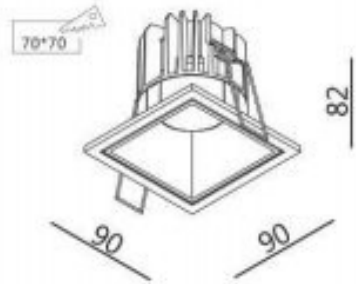
HAVELLS

EGLO
my light | my style

Jaquar
LIGHTING



LED DOWN LIGHT

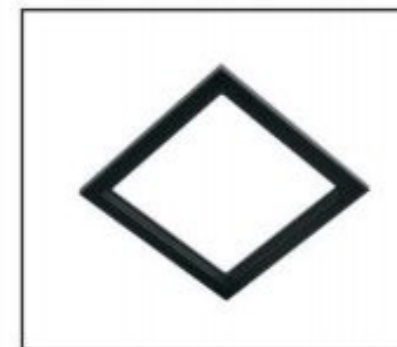


Model No.: PRO-181

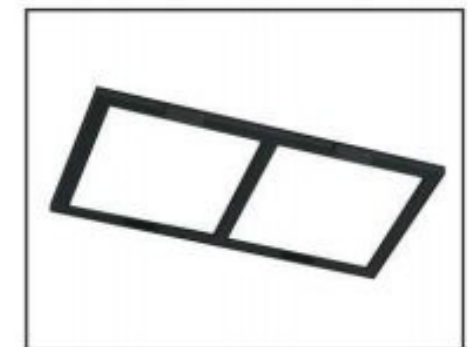
Housing Material : Aluminium Die-Cast
 Body Colour : White
 Power : 15W
 Light Source : Bridgelux LED
 Beam Angle : 32°
 CRI : 90
 Current : 700mA/20.75V DC

COLOUR :

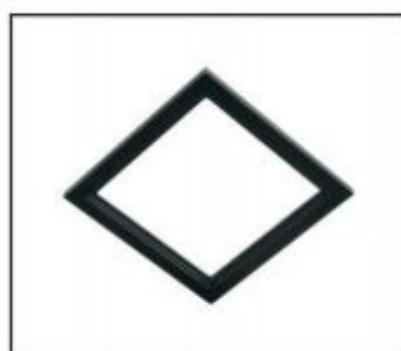
Warm White (3000K) (1207LM ± 5%)
 Daylight (4000K) (1267LM ± 5%)



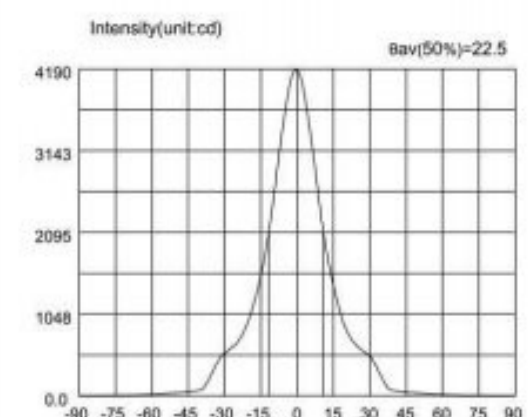
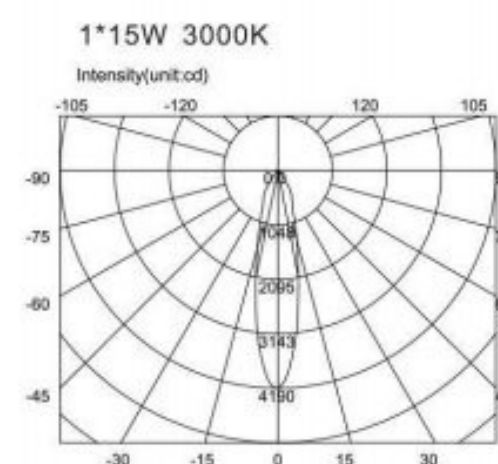
F1



F2



DIMMING OPTION AVAILABLE WITH ATCO TRIDONIC 1-10V TRACK DIMMING.





LED DOWN LIGHT

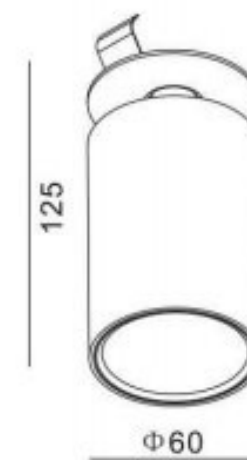


Model No.: PRO-183

Housing Material : Aluminium Die-Cast
 Body Colour : White
 Power : 9.3W / 13.3W
 Light Source : Bridgelux LED
 Beam Angle : 32°
 CRI : 90
 Current : 350mA / 500mA

COLOUR :

Warm White (3000K) (609LM ± 5%)
 Daylight (4000K) (639LM ± 5%)

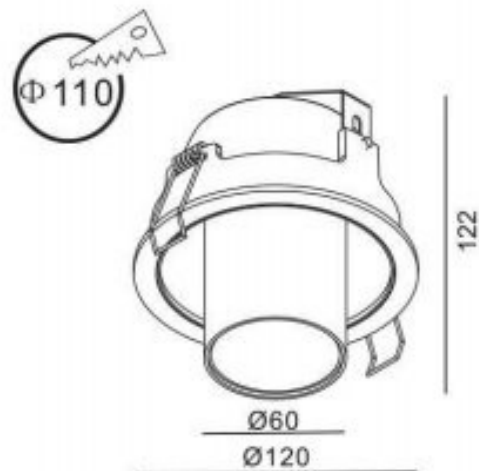


Model No.: PRO-185

Housing Material : Aluminium Die-Cast
 Body Colour : White
 Power : 9.3W / 13.3W
 Light Source : Bridgelux LED
 Beam Angle : 32°
 CRI : 90
 Current : 350mA / 500mA

COLOUR :

Warm White (3000K) (609LM ± 5%)
 Daylight (4000K) (639LM ± 5%)



DIMMING OPTION AVAILABLE WITH ATCO TRIDONIC 1-10V TRACK DIMMING.



Shakeel Ahmed
9500 004769

Galaxy Lights

(Complete Lighting Solutions)

138, Chamiers Road,
Nandanam, Chennai - 35.
(Between : Thevar Statue & Times of India)
Email : galaxylightsid@gmail.com
shakeelid@gmail.com

PHILIPS

OSRAM

Panasonic

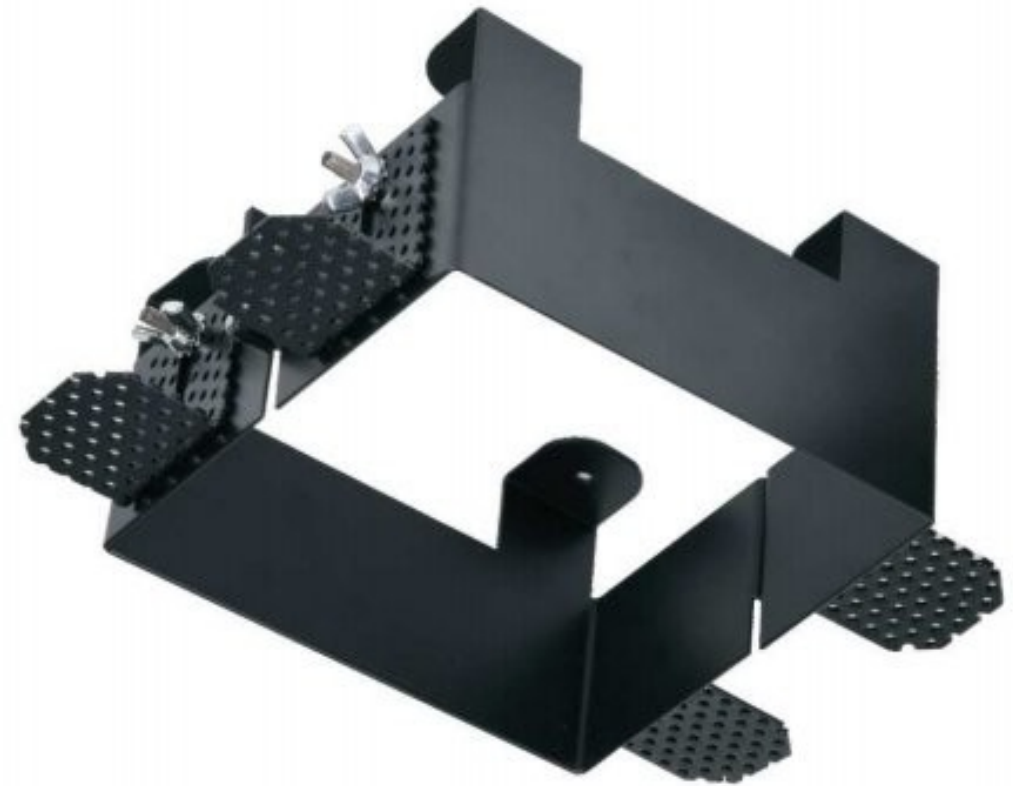
HAVELLS

EGLO
my light | my style

Jaquar
LIGHTING



LED DOWN LIGHT

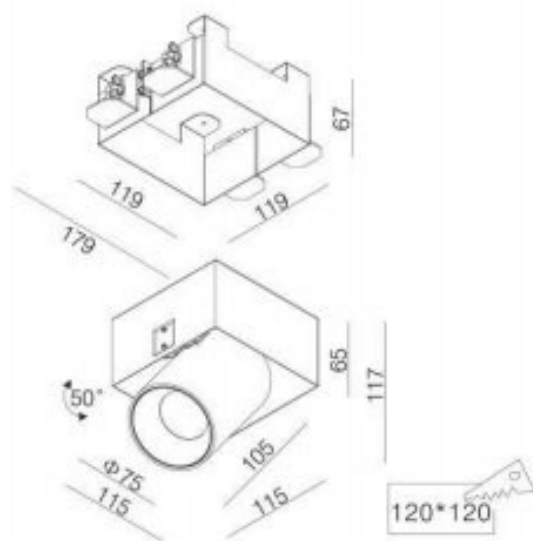


Model No.: PRO-186

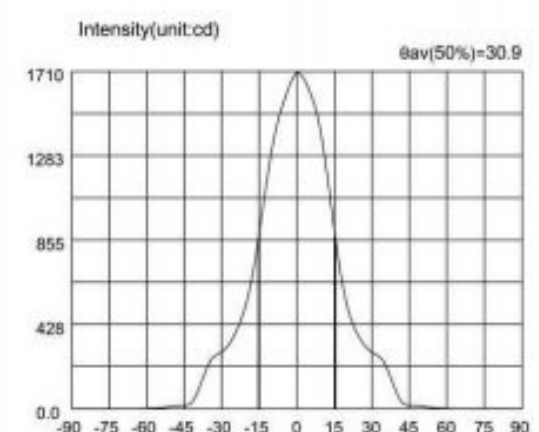
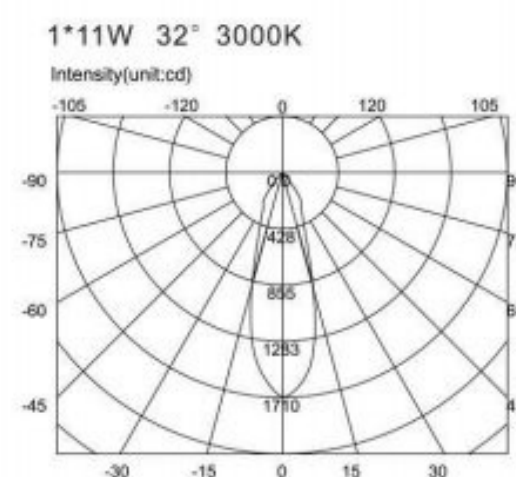
Housing Material : Aluminium Die-Cast
 Body Colour : White/Black
 Power : 11W
 Light Source : Bridgelux LED
 Beam Angle : 32°
 CRI : 90
 Current : 500mA/20.75V DC

COLOUR :

Warm White (3000K) (1207LM ± 5%)
 Daylight (4000K) (1267LM ± 5%)

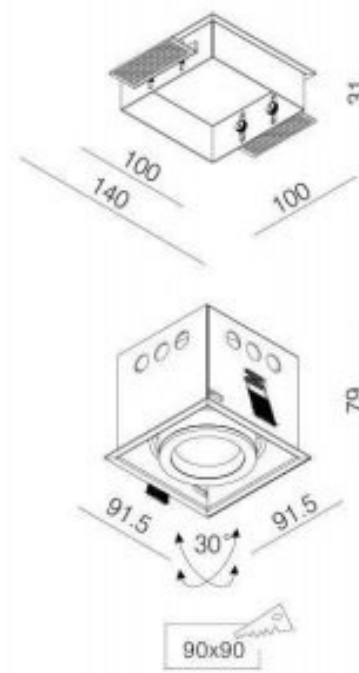


DIMMING OPTION AVAILABLE WITH ATCO TRIDONIC 1-10V TRACK DIMMING.





LED DOWN LIGHT



Model No.: PRO-188

Housing Material : Aluminium Die-Cast
Body Colour : White
Power : 11W
Light Source : Bridgelux LED
Beam Angle : 32°
CRI : 90
Current : 500mA/18.8V DC

COLOUR :

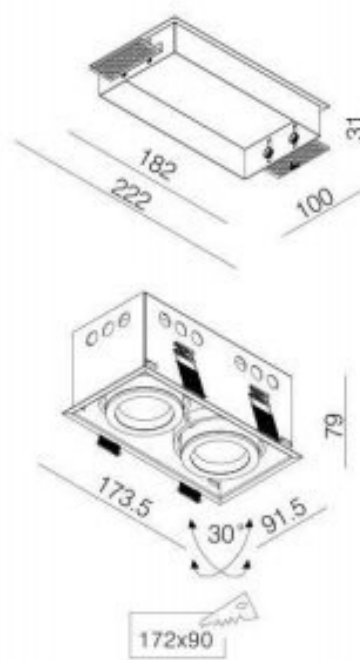
Warm White (3000K) (580 LM ± 5%)
Daylight (4000K) (615 LM ± 5%)

Model No.: PRO-189

Housing Material : Aluminium Die-Cast
Body Colour : White
Power : 2X11W
Light Source : Bridgelux LED
Beam Angle : 32°
CRI : 90
Current : 500mA/2x18.8V DC

COLOUR :

Warm White (3000K) (1044LM ± 5%)
Daylight (4000K) (1100LM ± 5%)



Shakeel Ahmed
9500 004769

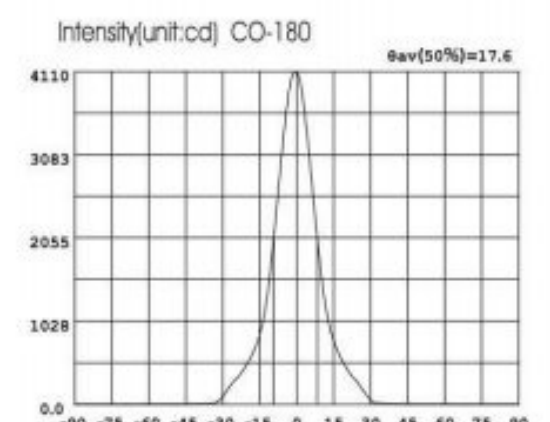
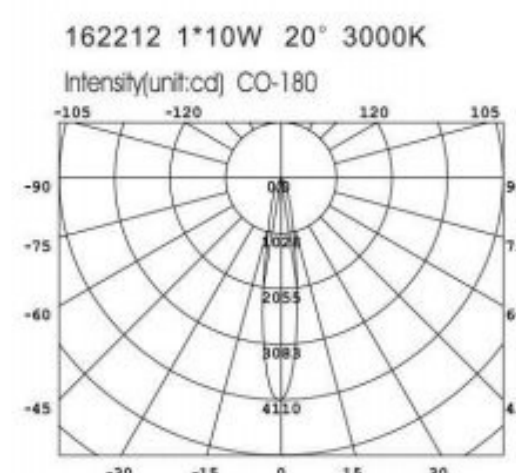
Galaxy Lights
(Complete Lighting Solutions)

138, Chamiers Road,
Nandanam, Chennai - 35.
(Between : Thevar Statue & Times of India)
Email : galaxylightsid@gmail.com
shakeelid@gmail.com



DIMMING OPTION AVAILABLE WITH ATCO TRIDONIC 1-10V TRACK DIMMING.

PHILIPS
OSRAM
Panasonic
HAVELLS
EGLO
my light | my style
Jaquar
LIGHTING

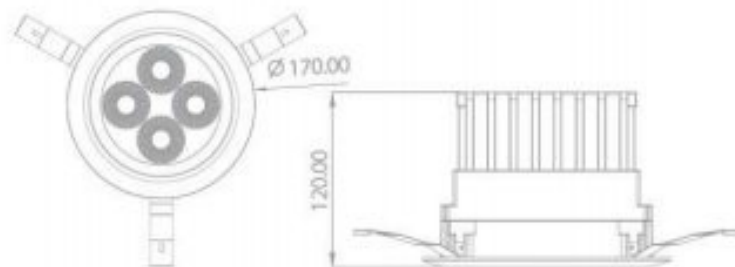




LED DOWN LIGHT



 150mm (5.90")



Model No.: PRO-194

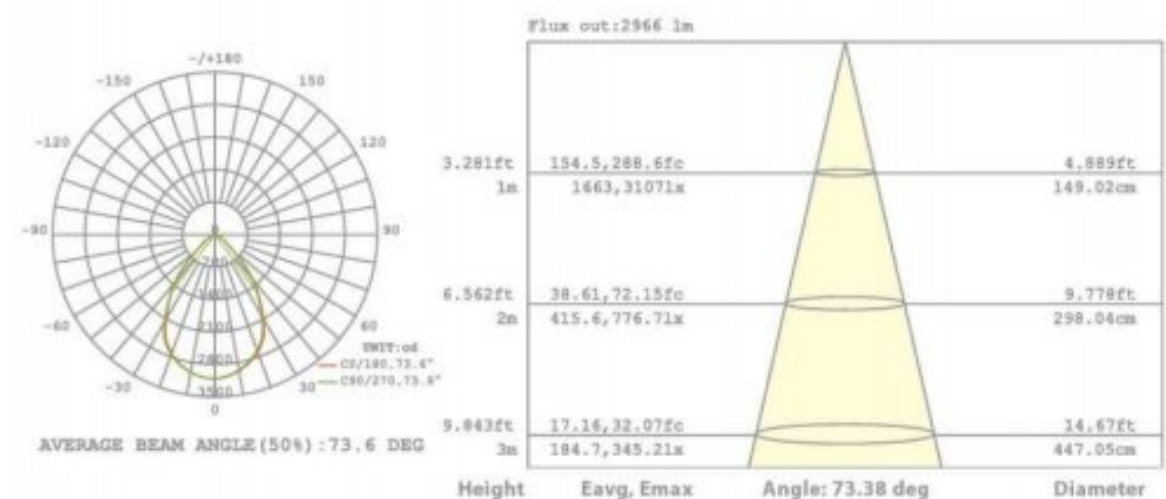
Housing Material : Aluminium Die-Cast
 Body Colour : White
 Power : 52W
 Light Source : Sharp LED
 Beam Angle : 72°
 CRI : 80
 Current : 1400mA

COLOUR :

Warm White (3000K) (4420 LM ± 5%)



DIMMING OPTION AVAILABLE WITH ATCO TRIDONIC 1-10V TRACK DIMMING.





LED DOWN LIGHT

Shakeel Ahmed
9500 004769

Galaxy Lights
(Complete Lighting Solutions)

138, Chamiers Road,
Nandanam, Chennai - 35.
(Between : Thevar Statue & Times of India)
Email : galaxylightsid@gmail.com
shakeelid@gmail.com

PHILIPS
OSRAM
Panasonic
HAVELLS
EGLO
my light | my style
Jaquar
LIGHTING

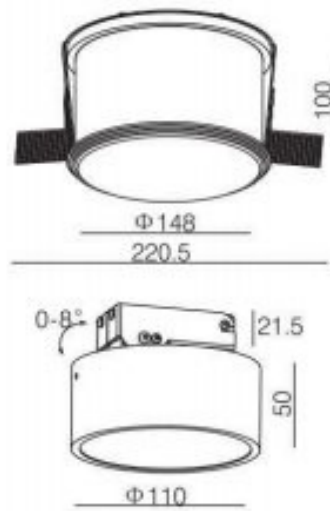


Model No.: PRO-201

Housing Material : Aluminium Die-Cast
Body Colour : Black & White
Power : 7W
Light Source : Edison LED
CRI : 80

COLOUR :

Warm White (3000K) (408 LM ± 5%)

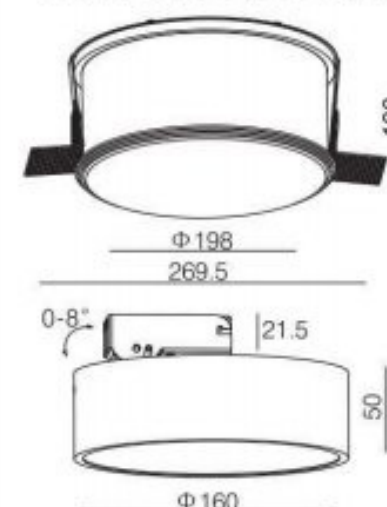


Model No.: PRO-202

Housing Material : Aluminium Die-Cast
Body Colour : Black & White
Power : 15W
Light Source : Edison LED
CRI : 80

COLOUR :

Warm White (3000K) (1024 LM ± 5%)



DIMMING OPTION AVAILABLE WITH ATCO TRIDONIC 1-10V TRACK DIMMING.



LED DOWN LIGHT

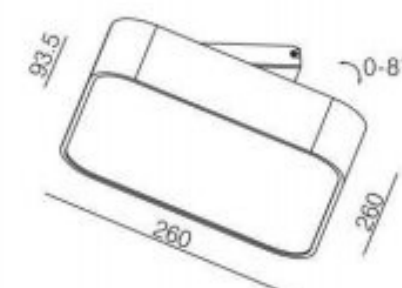
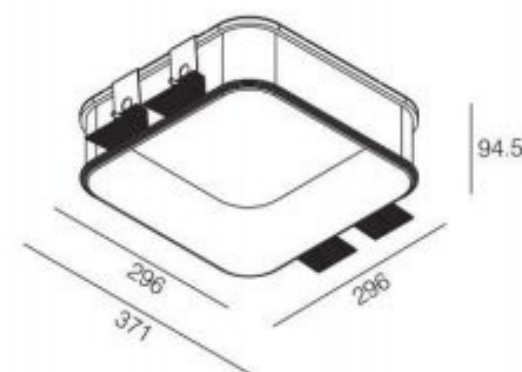


Model No.: PRO-207

Housing Material : Aluminium Die-Cast
Body Colour : Black & White
Power : 25W
Light Source : Edison LED
CRI : 80

COLOUR :

Warm White (3000K) (1525 LM \pm 5%)



DIMMING OPTION AVAILABLE WITH ATCO TRIDONIC 1-10V TRACK DIMMING.



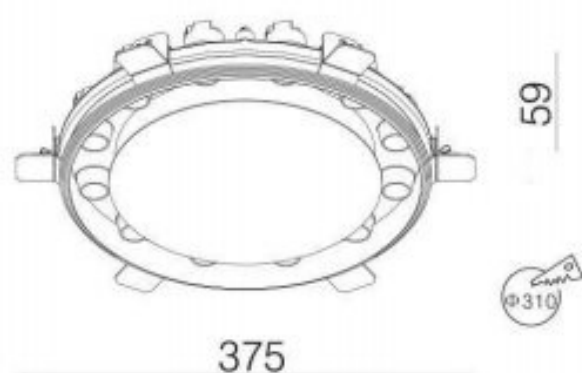
LED DOWN LIGHT

Shakeel Ahmed
9500 004769

Galaxy Lights
(Complete Lighting Solutions)

138, Chamiers Road,
Nandanam, Chennai - 35.
(Between : Thevar Statue & Times of India)
Email : galaxylightsid@gmail.com
shakeelid@gmail.com

PHILIPS
OSRAM
Panasonic
HAVELLS
EGLO
my light | my style
Jaquar
LIGHTING



Model No.: PRO-213

Housing Material : Aluminium Die-Cast
Body Colour : Black
Power : 12x2.2W
Light Source : Osram LED
Beam Angle : 14°
CRI : 80
Current : 700mA/20.75V DC

COLOUR :

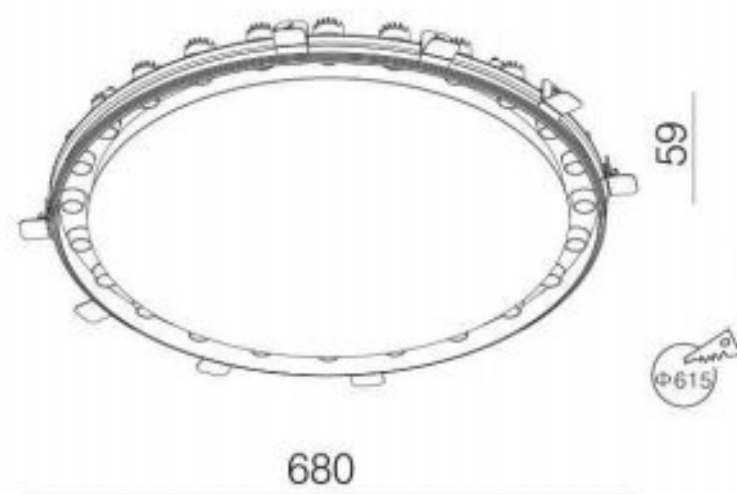
Warm White (3000K) (1445 LM ± 5%)



DIMMING OPTION AVAILABLE WITH
ATCO TRIDONIC 1-10V TRACK DIMMING.



LED DOWN LIGHT



Model No.: PRO-214

Housing Material : Aluminium Die-Cast
Body Colour : Black
Power : 24x2.2W
Light Source : Osram LED
Beam Angle : 14°
CRI : 80
Current : 700mA/20.75V DC

COLOUR :

Warm White (3000K) (1445 LM ± 5%)



DIMMING OPTION AVAILABLE WITH ATCO TRIDONIC 1-10V TRACK DIMMING.

LED DOWN LIGHT

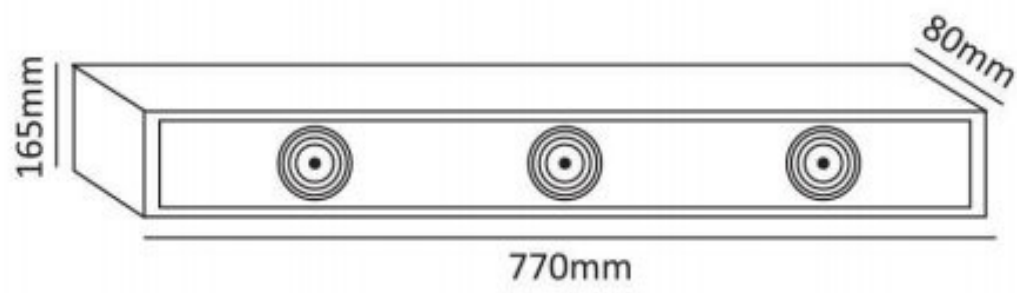


Model No.: PRO-217

Housing Material : Aluminium
 Body Colour : Black
 Power : 3x6.2W
 Light Source : BRIDGELUX LED
 Beam Angle : 15°
 CRI : 80
 Current : 350mA

COLOUR :

Warm White (3000K) (1662 LM ± 5%)

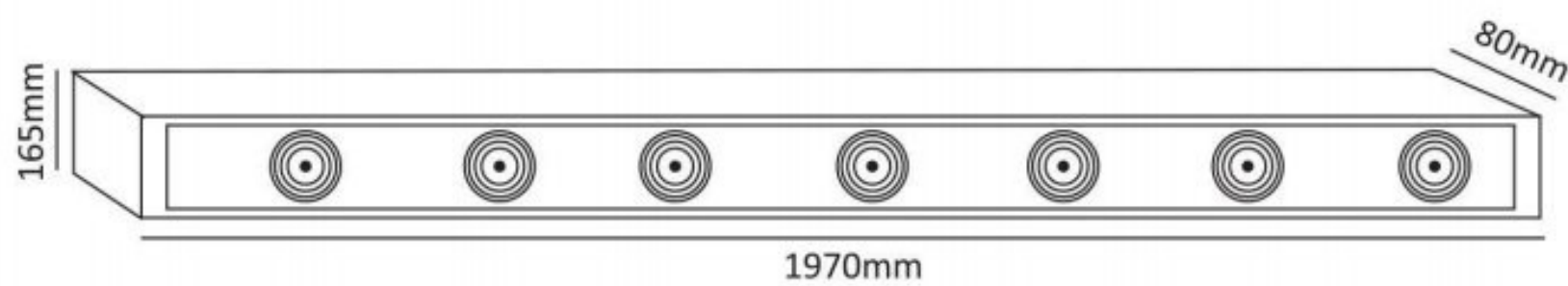


Model No.: PRO-219

Housing Material : Aluminium
 Body Colour : Black
 Power : 7x6.2W
 Light Source : BRIDGELUX LED
 Beam Angle : 15°
 CRI : 80
 Current : 350mA

COLOUR :

Warm White (3000K) (3878 LM ± 5%)



DIMMING OPTION AVAILABLE WITH ATCO TRIDONIC 1-10V TRACK DIMMING.

LED SURFACE CEILING LIGHT

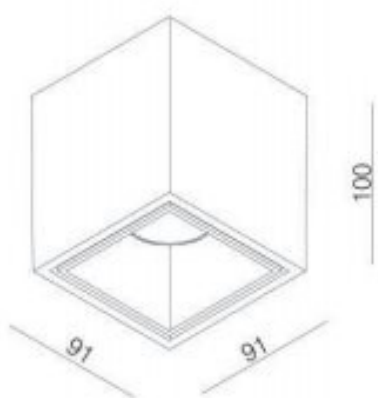


Model No.: PRO-301

Housing Material : Aluminium Die-Cast
 Body Colour : White Matt
 Power : 15W
 Light Source : Bridgelux LED
 Beam Angle : 32°
 CRI : 90
 Current : 100-240V

COLOUR :

Warm White (3000K) (1144LM ± 5%)
 Daylight (4000K) (1205LM ± 5%)

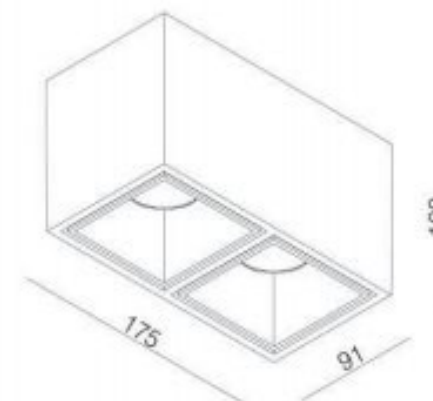


Model No.: PRO-302

Housing Material : Aluminium Die-Cast
 Body Colour : White Matt
 Power : 2x15W
 Light Source : Bridgelux LED
 Beam Angle : 32°
 CRI : 90
 Current : 100-240V

COLOUR :

Warm White (3000K) (2258LM ± 5%)
 Daylight (4000K) (2375LM ± 5%)

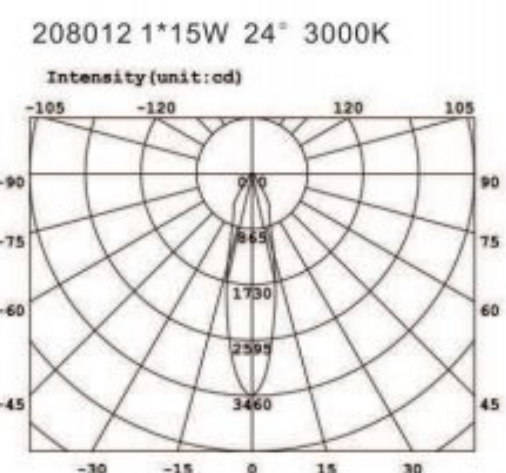


PHILIPS
OSRAM
Panasonic
HAVELLS
EGLO
 my light | my style
Jaquar
 LIGHTING

Shakeel Ahmed
 9500 004769

Galaxy Lights
 (Complete Lighting Solutions)

138, Chamiers Road,
 Nandanam, Chennai - 35.
 (Between : Thevar Statue & Times of India)
 Email : galaxylightsid@gmail.com
 shakeelid@gmail.com



LED SURFACE CEILING LIGHT



Model No.: PRO-304

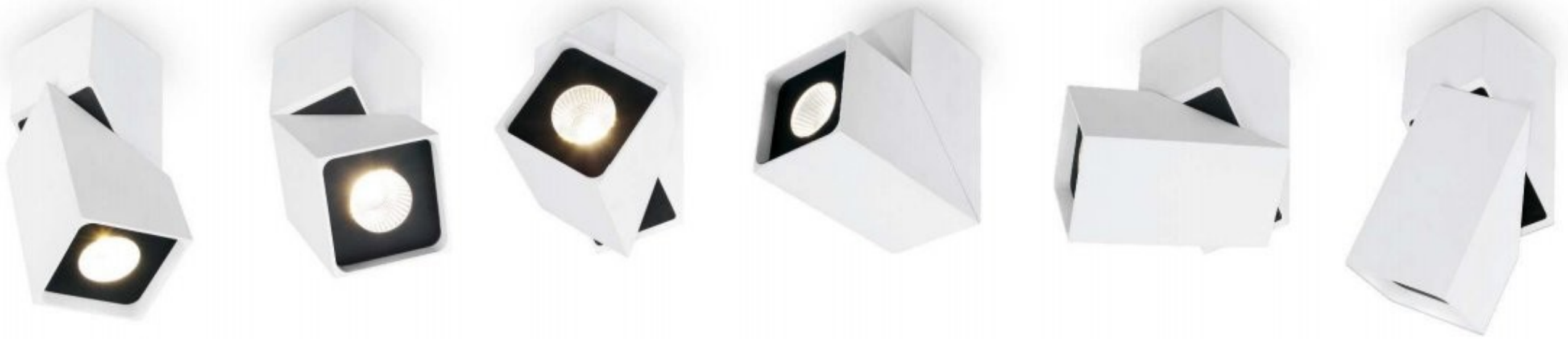
Housing Material : Aluminium
Body Colour : White
Power : 7W
Light Source : BRIDGELUX LED
Beam Angle : 28°
CRI : 80
Current : 100-240V, 50/60Hz

COLOUR :

Warm White (3000K) (387 LM \pm 5%)
Daylight (4000K) (406LM \pm 5%)



LED SURFACE CEILING LIGHT

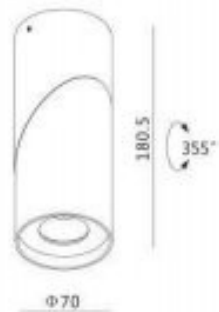


Model No.: PRO-305

Housing Material : Aluminium Die-Cast
 Body Colour : Black
 Power : 10W
 Light Source : Bridgelux LED
 Beam Angle : 28°
 CRI : 90
 Current : 100-240V

COLOUR :

Warm White (3000K) (586LM ± 5%)
 Daylight (4000K) (615LM ± 5%)

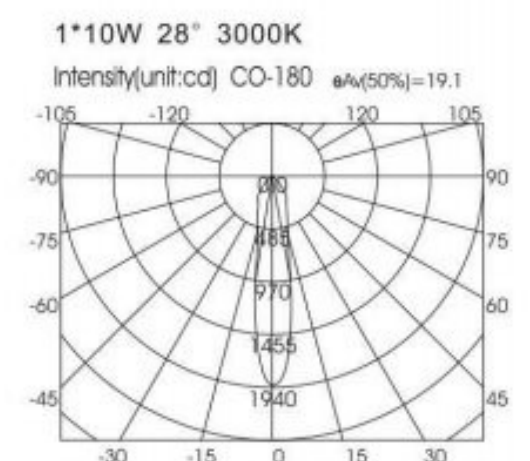
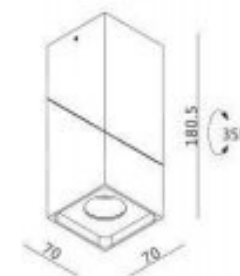


Model No.: PRO-306

Housing Material : Aluminium Die-Cast
 Body Colour : Black
 Power : 10W
 Light Source : Bridgelux LED
 Beam Angle : 28°
 CRI : 90
 Current : 100-240V

COLOUR :

Warm White (3000K) (586LM ± 5%)
 Daylight (4000K) (615LM ± 5%)



LED SURFACE CEILING LIGHT

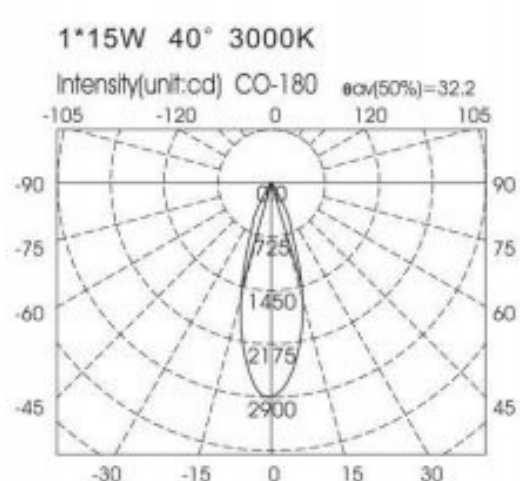
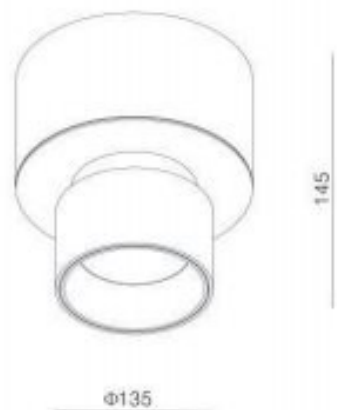


Model No.: PRO-310

Housing Material : Aluminium Die-Cast
 Body Colour : White Matt
 Power : 15W
 Light Source : Bridgelux LED
 Beam Angle : 40°
 CRI : 90
 Current : 100-240V

COLOUR :

Warm White (3000K) (1100LM ± 5%)
 Daylight (4000K) (1155LM ± 5%)



LED SURFACE CEILING LIGHT

Shakeel Ahmed
9500 004769

Galaxy Lights
(Complete Lighting Solutions)

138, Chamiers Road,
Nandanam, Chennai - 35.
(Between : Thevar Statue & Times of India)
Email : galaxylightsid@gmail.com
shakeelid@gmail.com

PHILIPS
OSRAM
Panasonic
HAVELLS
EGLO
my light | my style
Jaquar
LIGHTING

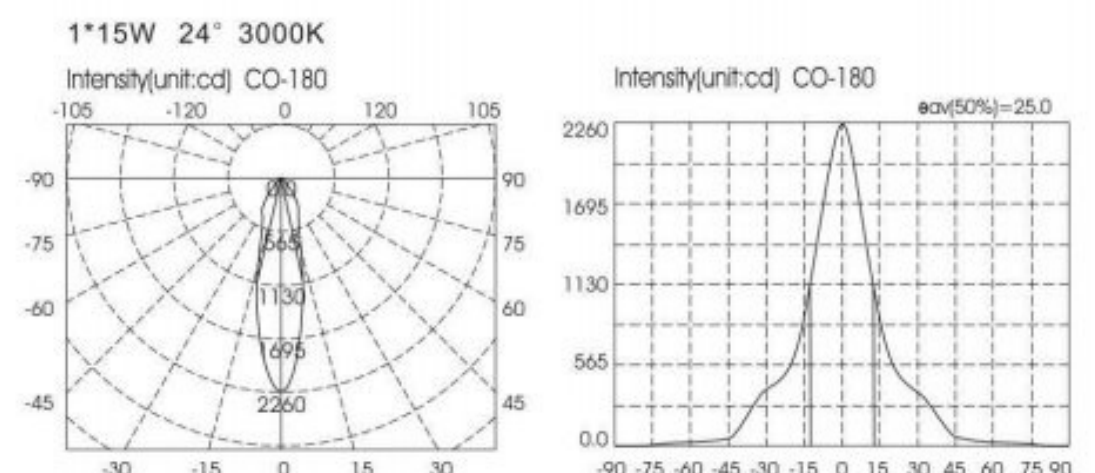
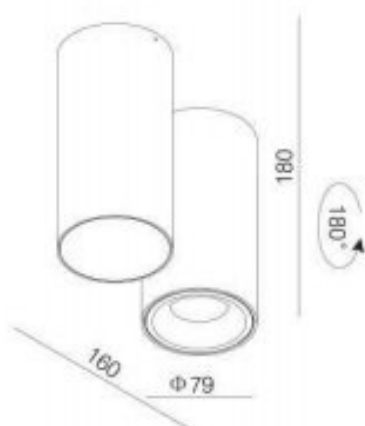


Model No.: PRO-312

Housing Material : Aluminium Die-Cast
Body Colour : White Matt
Power : 15W
Light Source : Bridgelux LED
Beam Angle : 32°
CRI : 90
Current : 100-240V

COLOUR :

Warm White (3000K) (1100LM ± 5%)
Daylight (4000K) (1155LM ± 5%)



LED SURFACE CEILING LIGHT

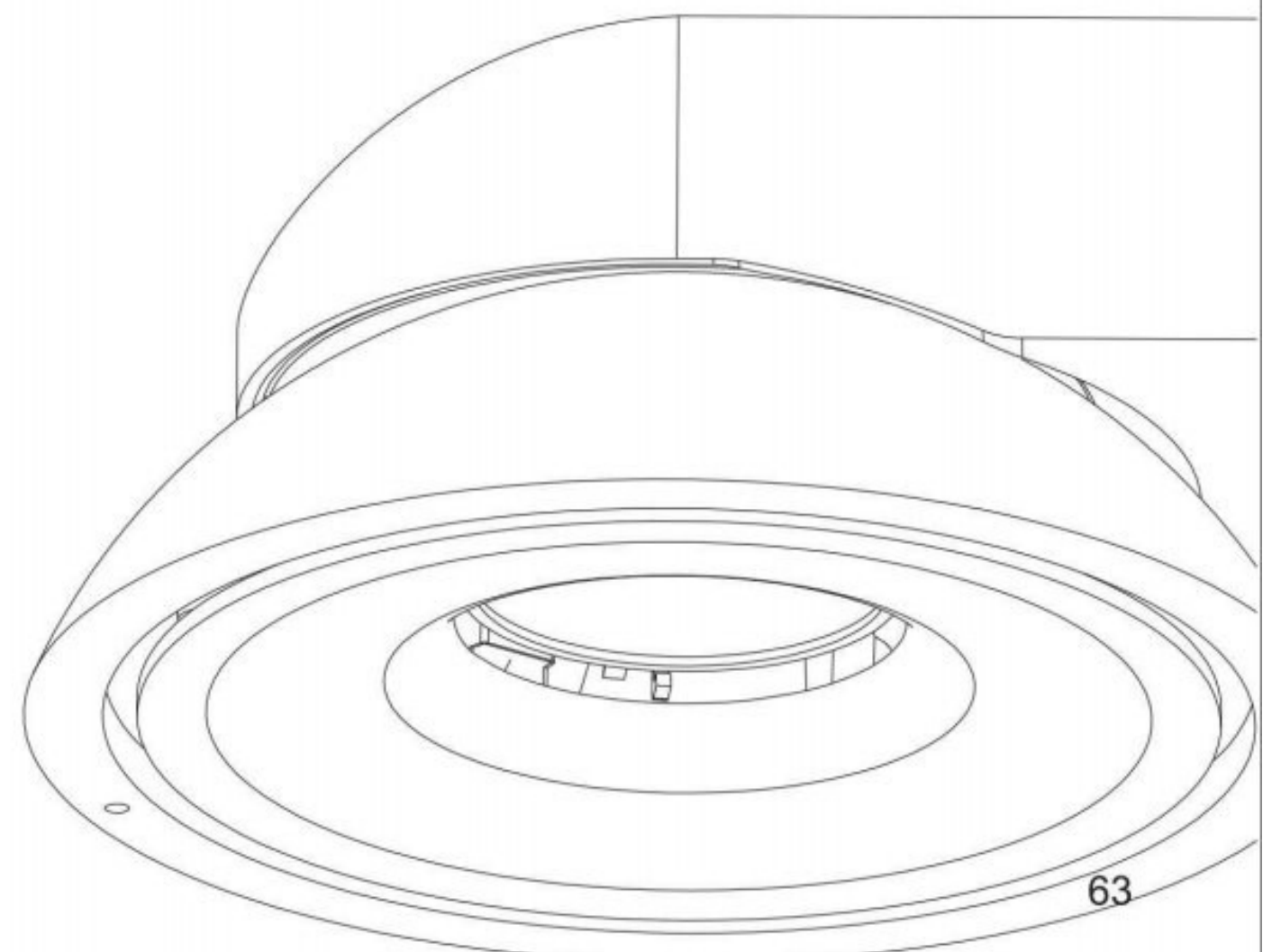
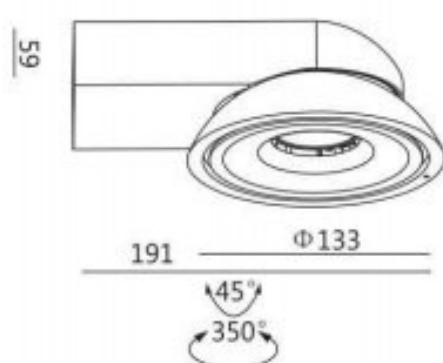


Model No.: PRO-314

Housing Material : Aluminium Die-Cast
Body Colour : White Matt
Power : 11W
Light Source : Bridgelux LED
Beam Angle : 32°
CRI : 90
Current : 100-240V

COLOUR :

Warm White (3000K) (761LM ± 5%)
Daylight (4000K) (800LM ± 5%)





LED CONCEAL FOOT LIGHT



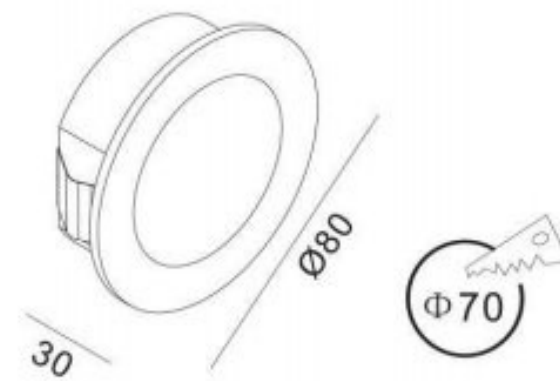
IP54

Model No.: PRO-341

Housing Material : Aluminium Die-Cast
Body Colour : White Matt
Power : 2.2W
Light Source : Osram LED
CRI : 80
Current : 700mA

COLOUR :

Warm White (3000K) (151LM ± 5%)



IP65

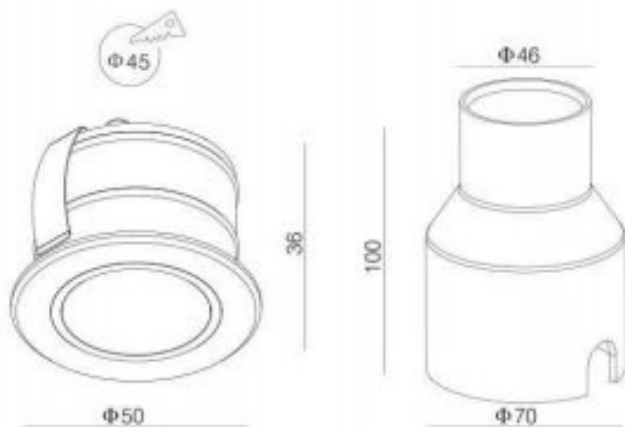
Model No.: PRO-351

Housing Material : Aluminium Die-Cast
Body Colour : White
Power : 1W
Light Source : Cree LED
Beam Angle : 32°
CRI : 90
Current : 100-240V

COLOUR :

Warm White (3000K) (1100LM ± 5%)

Daylight (4000K) (1155LM ± 5%)



Shakeel Ahmed
9500 004769

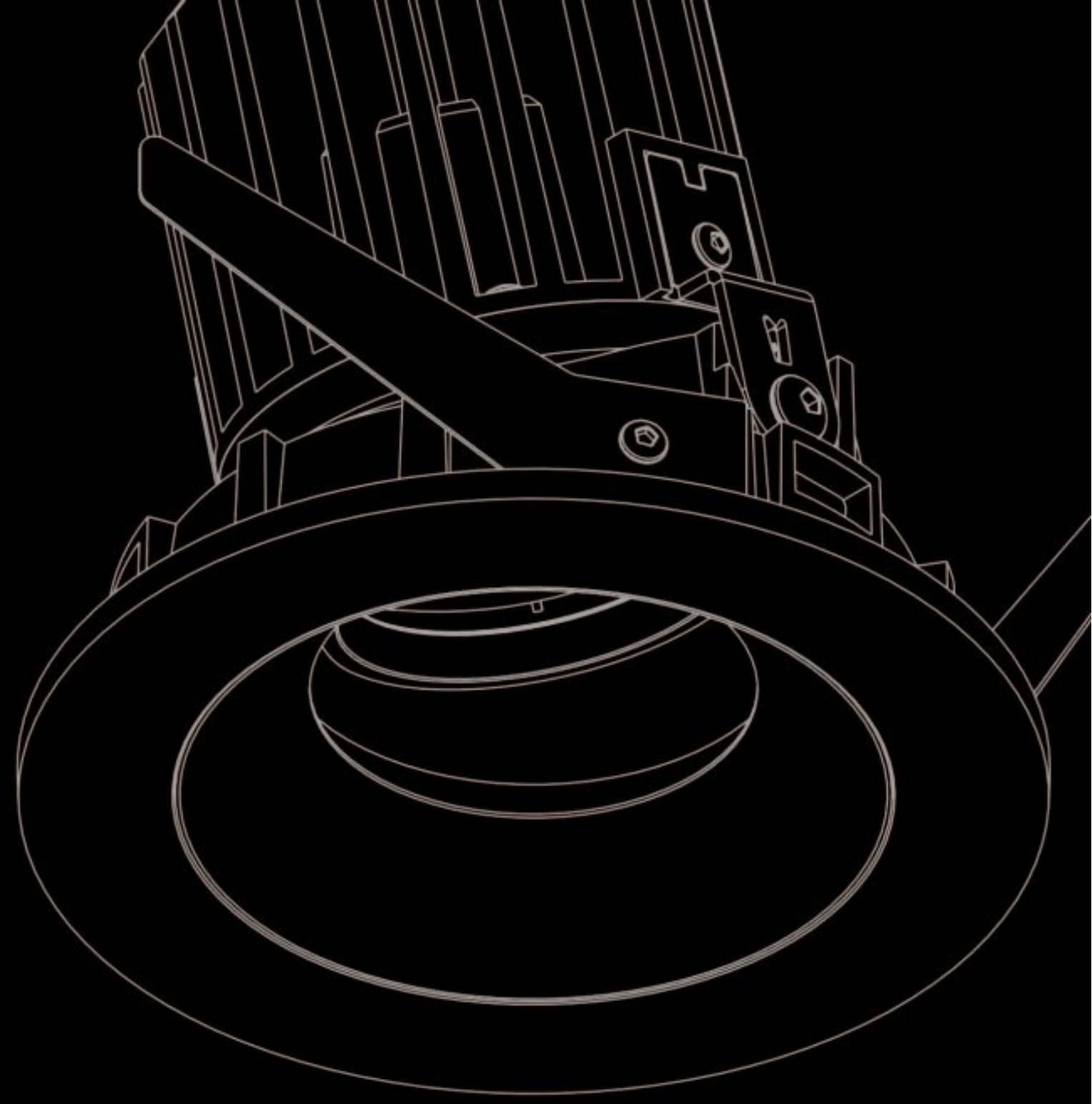
Galaxy Lights
(Complete Lighting Solutions)

138, Chamiers Road,
Nandanam, Chennai - 35.
(Between : Thevar Statue & Times of India)
Email : galaxylightsid@gmail.com
shakeelid@gmail.com

PHILIPS
OSRAM
Panasonic
HAVELLS

EGLO
my light | my style

Jaquar
LIGHTING



HYBEC[®] PRO
lighting the future